

KOMATSU[®]

370.2

Forestry Quality™

370

HARVESTING HEAD



The smart and reliable choice for really heavy work

It looks so nimble and easy to handle, even in really dense, thick forests with heavily branched trees. This sums up the advantages of the Komatsu 370.2 harvesting head, the obvious choice for heavy and demanding final logging.

What's more, this is a very reliable power pack, with features that include optimized hose routing and sturdy mounts for motors and all moving parts. Together with fast and powerful feeding, delimiting, and crosscutting, this makes the Komatsu 370.2 an extremely productive workmate.

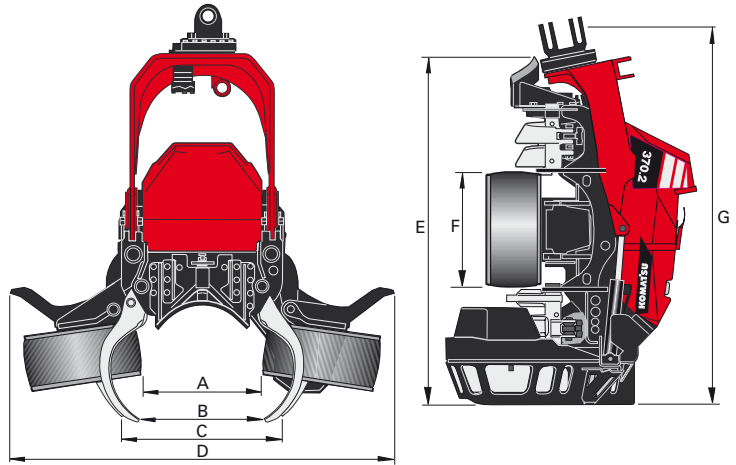
It's unusually intelligent, as well. The integrated Maxi computer provides you with everything from award-winning length measurement to the accurate crosscutting of every trunk. Every harvest is optimized, in terms of both value and quality. Every day, every shift. So if you want a harvesting head that delivers the greatest profitability from heavy work – choose the Komatsu 370.2!

TECHNICAL DATA

370.2

Komatsu 370.2, highlights

- Sturdy design for great reliability
- High productivity in final logging
- High measurement accuracy
- Powerful saw unit
- Cam-controlled feed rollers for optimal grip
- Sturdy motor mounts
- Powerful slew ring rotator for greater reliability
- Patented cam wheel-controlled feed rollers for better trunk grip
- Saw unit with patented chain tensioning/bar holder



Weight:	from 3,240 lb (1,470 kg)
Feed speed (motor dependent):	0-16.4 ft/s (0-5 m/s)
Feed force gross (motor dependent):	6,362-6,924 lbf (28.3/30.8 kN)
Feed wheel type:	Steel or rubber rollers with anti-slip protection
Delimiting knives, number:	6
Delimiting diameter, tip-to-tip:	19.7 in (500 mm)
Bar:	32.5 in (82.5 cm)
Saw motor:	1.16 cu in/rev (19 cm ³ /rev)
Fell/cut diam., theor. max.:	27.6 in (700 mm)
Requisite max. hydraulic flow (motor dependent):	79/87 gpm (300/330 l/min)
Requisite max. hydraulic pressure:	4,060 psi (28 MPa)

A Roller opening	23.6 in (600 mm)
B Opening front knives	25.2 in (640 mm)
C Opening rear knives	29.5 in (750 mm)
D Width, max.	76.8 in (1,950 mm)
E Height to vertical knife	70.0 in (1,780 mm)
F Roller diameter	21.5 in (547 mm)
G Height including rotator	75.6 in (1,920 mm)

NOTE! Only one of many possible configurations and the weight of the harvesting head depends on any optional equipment selected.

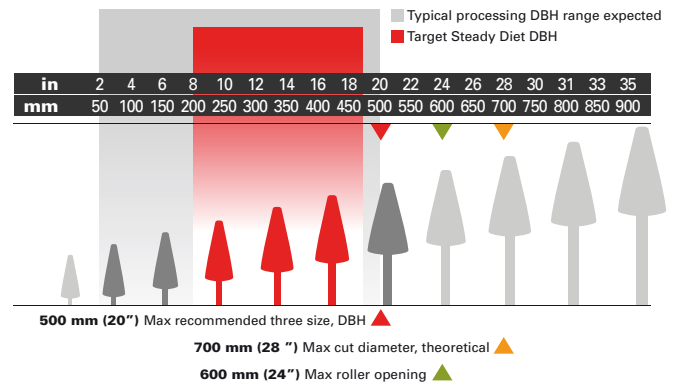
OPTIONAL EQUIPMENT

Standard and extra equipment are adapted to the market and vary from country to country. Your sales representative will have an up-to-date list of what is included.

Technical data/dimensions vary depending on optional equipment selected. Specifications and designs are subject to change without notice. Photos, diagrams, and sketches do not always show the standard model machine.



ZONE OF APPLICATION



KOMATSU

Komatsu Forest AB
www.komatsuforest.com