



Technical specification

# Binding agent spreader TA series

SW 10 TA | SW 16 TA





	<b>Binding agent spreader SW 10 TA</b>	<b>Binding agent spreader SW 16 TA</b>
<b>Container</b>		
Container capacity	10 m <sup>3</sup>	16 m <sup>3</sup>
Size of filling connector/filling hose	3"/4"	3"/4"
<b>Conveyor chain</b>		
Width of conveyor chain	950 mm	950 mm
Opening height of slide gate	350 mm	350 mm
<b>Spreading screw</b>		
Max. working width	2,500 mm	2,500 mm
Spreading quantity at 2 km/h* <sup>1</sup>	2–35 l/m <sup>2</sup>	2–35 l/m <sup>2</sup>
<b>Hydraulic system</b>		
Max. hydraulic power	50 l/min x 230 bar	50 l/min x 230 bar
Capacity of hydraulic fluid tank	100 l	100 l
<b>Weights</b>		
Empty weight* <sup>2</sup> , approx.	4,800 kg	6,600 kg
Permissible total weight* <sup>3</sup>	13,000 kg* <sup>5</sup>	21,000 kg
Technically permissible total weight	15,000 kg	27,000 kg
<b>Tyres</b>		
Standard tyre size	710/50 – 30.5	710/45 – 26.5
Permissible travel speed* <sup>3</sup>	25 km/h	25 km/h
<b>Transport dimensions (L x W x H)*<sup>4</sup>, approx.</b>	6,700 x 2,660 x 3,100 mm	8,200 x 2,760 x 3,250 mm
<b>Tractor requirements</b>		
Recommended engine power	> 90 kW/120 PS (all-wheel)	> 130 kW/180 PS (all-wheel)
Required speed of driveshaft	1,000 min <sup>-1</sup>	1,000 min <sup>-1</sup>
Tongue load at towing gear	3,000 kg* <sup>5</sup>	3,000 kg
Electrical system	12 V / > 15 A	12 V / > 15 A

\*<sup>1</sup> = quantity applied depends on various parameters (e.g. binder, feeding unit and job-site conditions)

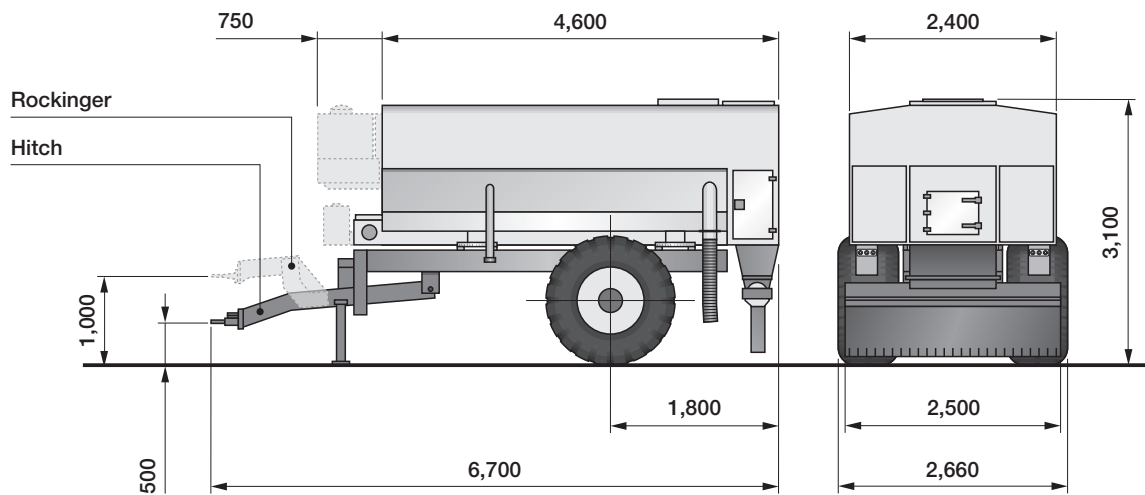
\*<sup>2</sup> = basic machine without any additional equipment

\*<sup>3</sup> = on public roads, adhering to the German Road Traffic Licensing Regulations (StVZO)

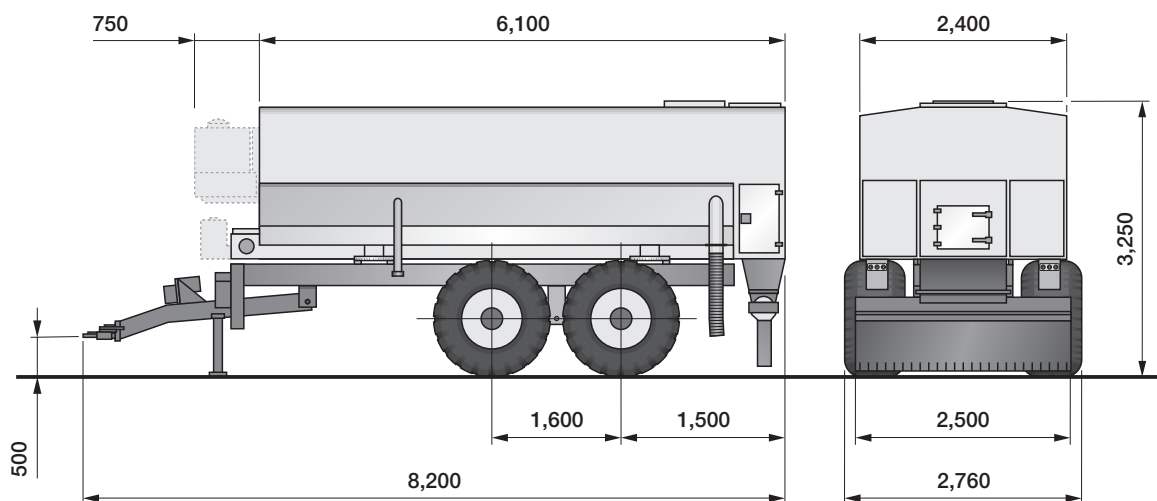
\*<sup>4</sup> = with standard tyres, when mounted

\*<sup>5</sup> = minus 1 t for Rockinger drawbar

**Binding agent spreader SW 10 TA**  
Dimensions in mm

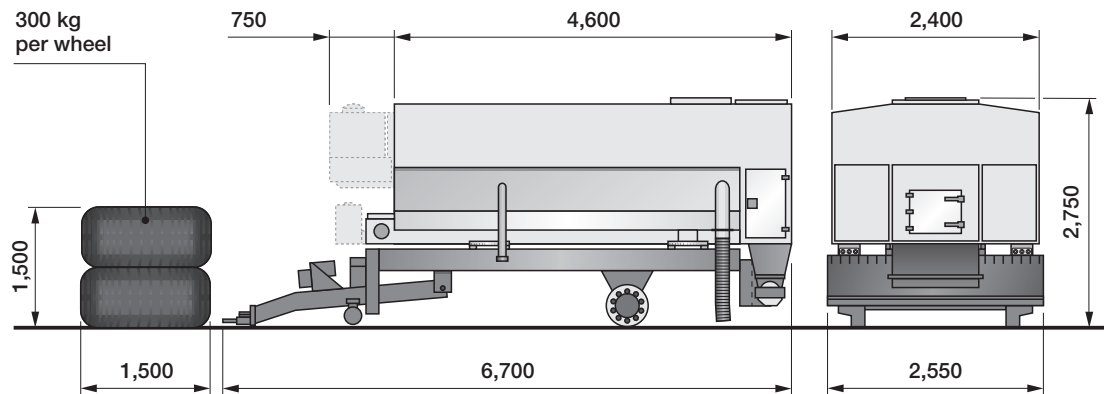


**Binding agent spreader SW 16 TA**  
Dimensions in mm



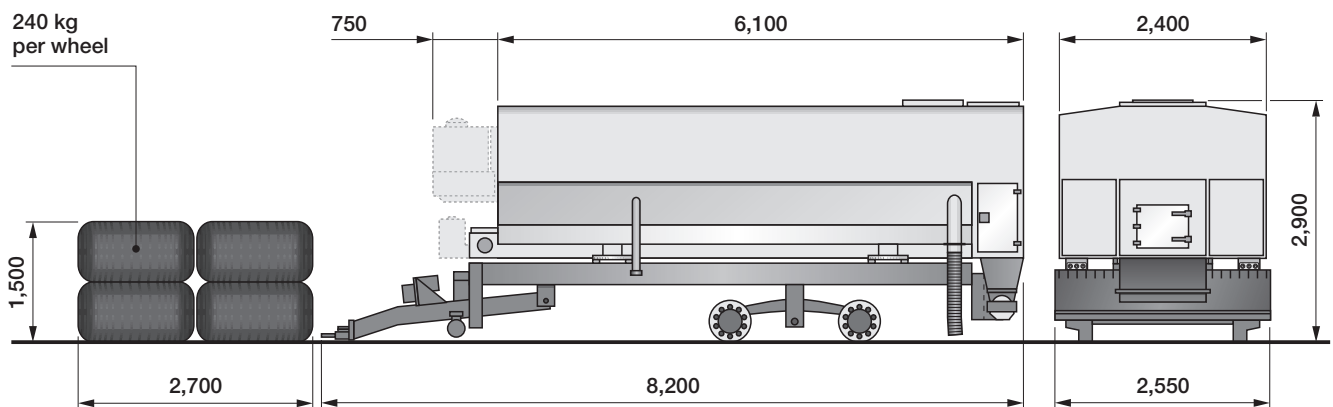
### Transport of binding agent spreader SW 10 TA

Dimensions in mm



### Transport of binding agent spreader SW 16 TA

Dimensions in mm



Equipment features	SW 10 TA	SW 16 TA
<b>Container / chassis</b>		
Standard coating	■	■
Special coating	□	□
Binder container with internal reinforcement	■	■
Lockable side doors	■	■
Inspection ports with safety switch	■	■
Storage compartments	□	□
Loading and lashing lugs	■	■
Single-axle chassis with spring-loaded drawbar	■	-
Tandem-axle chassis with spring-loaded drawbar	-	■
Hitch-type drawbar	■	■
Rockinger drawbar	□	-
Hydraulic support foot	■	■
Hydraulic braking system	■	■
Dual line air braking system	□	□
Relief cover on the conveyor chains to prevent material building up in the container	■	■
Vent pipe and pressure relief flap integrated into the container	■	■
3" pneumatic filling device on both sides	■	■
4" pneumatic filling device on both sides	□	-
4" high-speed pneumatic filling device on both sides	-	□
Hydraulic slide gate	■	■
Sensor-controlled conveyor chain	■	■
Mudguard with mounting parts *4	□	□
<b>Drive / control system / on-board computer</b>		
Closed on-board hydraulic system	■	■
Oil flow control valve	■	■
Hydraulic system grouped together in a valve block for easy servicing	■	■
Central control electronics in a control cabinet	■	■
Speed sensor mounted on the wheels	■	■
Control unit	■	■
Electronic weighing device *1	□	□

\*1 = cannot be calibrated

\*2 = altered transport dimensions, please request separate dimension sheet

\*3 = including licensing papers for Germany. Please contact your local Wirtgen branch for licensing in other countries

\*4 = required for TÜV approval in Germany

■ = standard equipment

□ = optional equipment

- = not available

Equipment features	SW 10 TA	SW 16 TA
<b>Drive/control system/on-board computer</b>		
Infinite adjustment of the quantity to be spread	■	■
Level indicator "Container full" or "empty"	■	■
Auxiliary engine for operation independently of the carrying vehicle or tractor	□	□
<b>Spreading unit</b>		
Spreading screw with "RotoPlus" dosing device	■	■
Working width divided into 2 part-widths	■	■
<b>Drive adaptations</b>		
Wide-angle drive shaft with 1- <sup>3</sup> / <sub>8</sub> " connection – 6-part	■	■
Wide-angle drive shaft with 1- <sup>3</sup> / <sub>4</sub> " connection – 6-part	□	□
Wide-angle drive shaft with 1- <sup>3</sup> / <sub>4</sub> " connection – 20-part	□	□
Wide-angle drive shaft with 1- <sup>3</sup> / <sub>8</sub> " connection – 21-part	□	□
<b>Tyres</b>		
Low-pressure tyres 710/50-30.5	■	-
Low-pressure tyres 710/45-26.5	-	■
Low-pressure tyres 800/45-30.5 *2	□	-
Low-pressure tyres 800/40-26.5 *2	-	□
Low-pressure tyres 600/60-30.5 *2 *4	□	-
<b>Miscellaneous</b>		
Standard warranty	■	■
Customized warranty	□	□
Dust protection	■	■
Access ladder	■	■
Bag filter package	□	□
Automatic dust-collecting filter system	□	□
Lighting package with 4 LED working lights	□	□
German TÜV approval (Technischer Überwachungsverein = Technical Inspection Agency) *3	□	□
Collecting pan and digital suspended scales for checking the spread quantity	■	■
Safety certificate by the employers liability insurance association	■	■
Technical documentation in duplicate	■	■

\*1 = cannot be calibrated

\*2 = altered transport dimensions, please request separate dimension sheet

\*3 = including licensing papers for Germany. Please contact your local Wirtgen branch for licensing in other countries

\*4 = required for TÜV approval in Germany

■ = standard equipment  
□ = optional equipment  
- = not available



Wirtgen GmbH  
Reinhard-Wirtgen-Strasse 2 · 53578 Windhagen · Germany  
Phone: +49 (0) 26 45/131-0 · Fax: +49 (0) 26 45/131-242  
Internet: [www.wirtgen.com](http://www.wirtgen.com) · E-Mail: [info@wirtgen.com](mailto:info@wirtgen.com)

Made by STREUMASTER Maschinenbau GmbH