



PRODUCT INDEX

	Series	Page		Series	Page		Series	Page	
	Compact Spring Rewind Cable Reels	RC	752		C Dual Spring Rewind Hose Reels	758		Hose Reel Accessories Roller Guides	769
	Compact Spring Rewind Hose Reels	RA	752		SP High Capacity Spring Rewind Hose Reels	758		Hose Reel Accessories Connecting Hoses	769
	Compact Spring Rewind Hose Reels	GA400	753		SHW Spring Rewind Welding Reels	759		Hose Reel Accessories Swivel Assemblies	769
	E-Zy Reel	C901	753		DP Dual Spring Rewind Hose Reels	759		Hose Reel Accessories Additional/Optional Brackets	769
	E-Zy Reel	C420	753		Competitor Hand Cranked and Power Rewind Hose Reels	1125 760		Tecreels	375 770
	E-Zy Reel	C460	753		Competitor Hand Cranked and Power Rewind Hose Reels	1175 761		Tecreels	4 Port 771
	E-Zy Reel	C808	754		Competitor Hand Cranked and Power Rewind Hose Reels	1185 & 1195 762		Tecreels	Multifunction 772
	E-Zy Reel	C809	754		PR Series Portable Hose Reels	PRL 763		Swivels	2 Port 772
	E-Zy Reel	SS.808	754		Challenger High Pressure Hand Cranked Hose Reels	112L 763		Swivels	4 Port 772
	E-Zy Reel	SS.809	754		EN Enclosed Heavy Duty Spring Rewind Reels	764			
	Retracta Spring Rewind Reels		755		Dolly and Caddy Portable Hose Reels	DM/CM 765			
	Stainless Steel Spring Rewind Reels		756		SD Static Discharge Spring Rewind Cable Reels	SD 766			
	Stainless Steel Manual Rewind Reels		756		EZ-Coil Safety Series	EZ 767-768			
	P-LP/SH Heavy Duty Spring Rewind Reels		757		Hose Reel Accessories Swivel Assemblies	769			
	P-MP/MP/P-P/HP Heavy Duty Spring Rewind Reels		757		Hose Reel Accessories Mounting Brackets	769			

Pirtek offers a comprehensive range of hose and cable reels, which have been developed to satisfy the needs of the most demanding and diverse requirements of industry today. Compact Hose Reels from Mavel - light duty spring rewind reels for air and ideally suited to the smaller workshop. Retracta Hose Reels from Macnaught - low cost, high specification utility spring rewind reels for all popular applications, indoors and out. Heavy Duty Hose Reels from Coxreels - in powder coated steel or stainless steel, spring rewind, hand crank and power rewind options, these are the reels to specify for the most demanding applications.

Over 90 Pirtek Centres covering the whole of the UK and Ireland, manned by highly trained staff and stocking an impressive range of hose and cable reels ensure that Pirtek has everything it takes to keep industry moving.

SALES & TECHNICAL SUPPORT

Pirtek technical support staff are there to help with any aspect of hose reel enquiry. Highly qualified technicians are able to advise on the best reel and hose combination for each particular application. Special purpose and custom built models are available for most applications. A quick call to Pirtek on 0800 38 24 38 is all that is needed.

Compact Spring Rewind Cable Reels (12/24/240 Volt)



RC Range

Compact cable reels combine convenient storage of 2 and 3 core electrical cable with fast payout and automatic spring rewind. Available up to 240 volt. These reels are suitable for use with power tools, low voltage inspection lamps and other electrical appliances. Constructed in high-impact poly-propylene for maximum durability each reel is supplied with fitted cable and an integral wall mounting bracket. The optional RB bracket adaptor allows these reels to be ceiling mounted where required.

FEATURES

- Compact, lightweight design
- Supplied with fitted cable
- Fitted inlet cable for connection to supply
- Integral wall mounting swivel bracket
- Optional RB adaptor for ceiling mount
- Latching of cable at any length or free-run option
- Fully automatic spring rewind
- Low effort easy-to-use rewind tension
- Virtually maintenance free

Part Number	Reel Dimensions			Approx Weight with Cable	Cable Length	Cable Cores	Max Voltage	Max Amperage	Reel Colour
	Wide	High	Deep						
RC25	5¼"	7"	8¾"	2.2 kg	5 + 1 m	3 x 1.5 mm ²	240v	All Cable in 3 amp All Cable out 10 amp	White and
RC50	5¼"	7"	8¾"	2.2 kg	7 + 1 m	2 x 1 mm ²	240v		Black
RC100	5¼"	11"	10¾"	5 kg	30'	3 x 1.5 mm ²	240v	All Cable in 3 amp All Cable out 10 amp	Green
RC150	5¼"	11"	10¾"	5 kg	50'	2 x 1.00 mm ²	240v		and
RC2500	7"	15"	17"	7.5 kg	82'	3 x 1.00 mm ²	240v		Black

Compact Spring Rewind Reels Compressed Air (max 150 psi)

RA50 Mini compact

This reel is small and compact and an excellent choice for the small workshop or production line. Features include a tough polypropylene construction. 6m of ¼" internal bore hose (5m on the reel 1m outside), a maximum working pressure of 150psi (10 bar). Overall weight including bracket and hose kit 1.2kg (2.6lbs)



RA25/RA50

RA250 & RA300

Compact spring rewind hose reels are designed for use with compressed air only (excluding the GA400). Their small size makes them ideal for the smaller workshop where space is a major factor. Constructed in high impact polypropylene for maximum durability, each reel comes supplied with fitted hose and integral wall/overhead mounting bracket. The switchable locking facility offers latching of hose or convenience of free run.



RA100



RA200



RA250 & RA300

Compact Spring Rewind Reels Compressed Air (max 150 psi) - continued

GA400 Domestic Water Reel

Constructed in high impact polypropylene and supplied with 20m (66') of garden hose, and wall bracket. Standard garden fittings are also supplied along with fitted nozzle. The GA400 comes with a self-layering feature, which allows the hose to be fed back on the reel neatly and trouble free.

FEATURES

- Compact, lightweight design RA100 & 200 3.8kg, RA250 & 300 6.5kg, RA50 1.5kg
- Fitted with hose for immediate installation
- Integral pivoting wall/overhead bracket
- Latching or free run of hose
- Fully automatic hose rewind for neat and tidy storage
- Low effort easy-to-use rewind tension
- Virtually maintenance free
- Fully warranted for 12 months



GA400

Part Number	Reel Dimensions			Approx Weight with Cable	Application	Hose Length	Hose Size (I.D.)	Hose Type	Working Pressure	Inlet Size	Hose Outlet	Reel Colour
	Wide	High	Deep									
RA50	5¼"	7"	8¾"	1.5 kg/3.3 lbs	Air	20' (6 m)	¼" (6 mm)	Polyurethane	150psi (10 bar)	¼" BSPF	¼" BSPM	Grey/Black
RA100	5¼"	11"	10¾"	3.8 kg/8.36 lbs	Air	40' (12 m)	¼" (6 mm)	Polyurethane	150psi (10 bar)	¼" BSPF	¼" BSPM	Green/Black
RA200	5¼"	11"	10¾"	3.8 kg/8.36 lbs	Air	25' (8 m)	¾" (8 mm)	Reinforced PVC	150psi (10 bar)	¼" BSPF	¼" BSPM	Green/Black
RA250	7"	15"	17"	6.5 kg/14.3 lbs	Air	50' (15 m)	¾" (8 mm)	Reinforced PVC	150psi (10 bar)	¼" BSPF	¼" BSPM	Green/Black
RA300	7"	15"	17"	6.5 kg/14.3 lbs	Air	30' (10 m)	¾" (10 mm)	Reinforced PVC	150psi (10 bar)	¾" BSPF	¾" BSPM	Green/Black
GA400	12"	18½"	21¼"	10.5 kg/23 lbs	Water	66' (20 m)	½" (13 mm)	PVC	100psi (7 bar)	Connector	Nozzle	Green/Black

E-Zy Reel - Hand Crank Hose Reels (901, 420 and 460 Series)

901 Series



FEATURES

- Heavy-duty frame structure
- Corrosion resistant powder coating
- Solid 8" rubber tyres
- Adjustable drag brake, solid brass swivel
- Rubber feet prevent reel from slipping forward when pulling hose out

420 Series



FEATURES

- Designed for industrial applications where longer length of hose is required
- Constructed with heavy gauge powder coated steel
- Adjustable drag brake, full flow swivel joint

460 Series



FEATURES

- Designed for industrial applications where longer length of hose are required
- Constructed in heavy gauge powder coated steel
- Full flow swivel joint
- Open hose slot drum design, Oil-lite self-lubricating bearings
- Spring loaded lock pin prevents hose from de-reeling

Part Number	Inlet/Outlet (ms)	Max Pressure (psi/bar)	Hose Capacity I.D. (ins)	Length (ft/m)	Dimensions (cms)	NW/GW (kgs)
C901-3-200L	¾"	300/20	¾"	200/60	106H x 57W x 50D	18/20
C901-4-100L	½"	300/20	½"	100/30	106H x 57W x 50D	18/20

Part Number	Inlet/Outlet (ins)	Max Pressure (psi/bar)	Hose Capacity I.D. (ins)	Length (ft/m)	Dimensions (cms)	NW/GW (kgs)
C420-3-300L	¾"	3000/200	¾"	300/90	48H x 43W x 50D	12/14
C420-4-100L	½"	3000/200	½"	150/45	48H x 43W x 50D	12/14

Part Number	Inlet/Outlet (ms)	Max Pressure (psi/bar)	Hose Capacity I.D. (ins)	Length (ft/m)	Dimensions (cms)	NW/GW (kgs)
C460-3-350H	¾"	3000/200	¾"	350/105	50H x 22W x 48D	17/19
C460-4-270H	½"	3000/200	½"	270/80	50H x 22W x 48D	17/19

E-Zy Reel - Spring Rewind Hose Reels (808 and 809 Series)

808 Series



FEATURES

- Corrosion resistant powder coating
- 7" wide L-shaped base with groove reinforcement ensures stable support
- Guide arm adjustable for handling up to 9 positions
- Multi-position ratchet lock and easy tension adjustment

All 808 series powder coated reels come supplied with fitted hose. Please ask for details.

Part Number	Inlet/Outlet (ins)	Max Pressure (psi/bar)	Hose Capacity I.D. (ins)	Length (ft/m)	Dimensions (cms)	NW/GW (kgs)
Low Pressure Air/Water Reels						
C808-350L	3/8"	300/20	3/8"	50/15	55H x 22W x 53D	24/26
C808-450L	1/2"	300/20	1/2"	50/15	55H x 22W x 53D	27/29
Medium Pressure Air/Water Reels						
C808-350M	3/8"	2250/155	3/8"	50/15	55H x 22W x 53D	24/26
C808-450M	1/2"	2000/138	1/2"	50/15	55H x 22W x 53D	26/28
High Pressure Grease/Hydraulic Oil Reels						
C808-350H	3/8"	4000/276	3/8"	50/15	55H x 22W x 53D	27/29

809 Series



FEATURES

- Heavy-duty steel construction with corrosion resistant powder coating
- 6 1/2" wide L-shaped base ensures stable support
- Guide arm adjustable for handling up to 9 positions
- Multi-position ratchet lock and easy tension adjustment
- Spring fully enclosed and lubricated
- Wall, ceiling, or floor mounted

All 809 series powder coated reels come supplied with fitted hose. Please ask for details.

Part Number	Inlet/Outlet (ins)	Max Pressure (psi/bar)	Hose Capacity I.D. (ins)	Length (ft/m)	Dimensions (cms)	NW/GW (kgs)
Low Pressure Air/Water Reels						
C809-325L	3/8"	300/20	3/8"	25/8	39H x 16W x 39D	13/14.5
Medium Pressure Air/Water Reels						
C809-325M	3/8"	2250/155	3/8"	25/8	39H x 16W x 39D	14.5/16
High Pressure Grease/Hydraulic Oil Reels						
C809-325H	3/8"	4000/276	3/8"	25/8	39H x 16W x 39D	16/17.5

8

SS.808 Series

FEATURES

- Ideal for food processing, wash down, chemical transfer and industrial solvent handling
- Four non-slag rollers reduce hose wear
- Heavy-duty stainless steel construction with electrolytic polishing
- Full flow stainless shaft and swivel, spring fully enclosed and lubricated
- Multi-position ratchet lock and easy tension adjustment



Part Number	Inlet/Outlet (ins)	Max Pressure (psi/bar)	Hose Capacity I.D. (ins)	Length (ft/m)	Dimensions (cms)	NW/GW (kgs)
Low Pressure Stainless Steel Reels						
CSS808-350L	3/8"	300/20	3/8"	50/15	55H x 22W x 53D	18/20
CSS808-450L	1/2"	300/20	1/2"	50/15	55H x 22W x 53D	18/20
Medium Pressure Stainless Steel Reels						
CSS808-350M	3/8"	3000/200	3/8"	50/15	55H x 22W x 53D	19/21
CSS808-450M	1/2"	3000/200	1/2"	50/15	55H x 22W x 53D	19/21

Supplied as a bare reel. Hose kits optional

SS.809 Series

FEATURES

- Ideal for food processing, wash down, chemical transfer and industrial solvent handling
- Four non-slag rollers reduce hose wear
- Heavy-duty stainless steel construction with electrolytic polishing
- Full flow stainless shaft and swivel, spring fully enclosed and lubricated
- Multi-position ratchet lock and easy tension adjustment

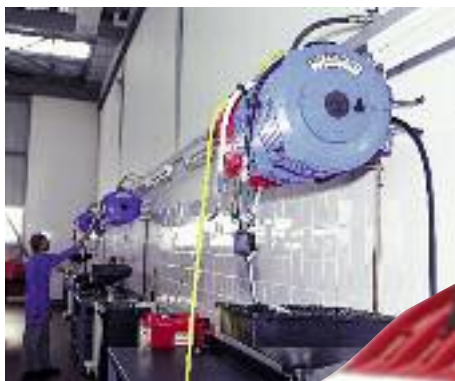


Part Number	Inlet/Outlet (ins)	Max Pressure (psi/bar)	Hose Capacity I.D. (ins)	Length (ft/m)	Dimensions (cms)	NW/GW (kgs)
Low Pressure Stainless Steel Reels						
CSS809-325L	3/8"	300/20	3/8"	25/8	39H x 16W x 39D	11/13

Supplied as a bare reel. Hose kits optional

Retracta Spring Rewind Reels - Multiple Application

Retracta spring rewind hose reels offer performance, reliability and versatility for all popular hose applications. Constructed in high impact UV stabilised polypropylene for all-purpose corrosion free durability, Retracta reels can be installed indoors or out. They are particularly suited to washdown applications in food processing as an alternative to conventional stainless steel reels. Each reel is supplied with fitted hose and a choice of lockable mounting brackets for wall, floor, bench or overhead installation. The switchable latching facility offers free run or latching of the hose at any length while the low rewind tension makes Retracta particularly easy to use.



FEATURES

- Tough, corrosion free polypropylene construction
- Lightweight – average just 10 kg, easy to install
- Supplied with fitted hose for specified application
- Choice of lockable mounting brackets
- Latching or free run of hose
- Fully automatic hose rewind for neat and tidy storage
- Low effort easy-to-use rewind tension
- Virtually maintenance free
- Completely serviceable – all parts readily available
- Fully warranted

Retracta - Standard Models All models supplied with fitted hose and mounting bracket. (Also available without hose)

Part Number	Reel Dimensions			Approx Weight with Cable	Application	Hose Length	Hose Size (I.D.)	Hose Type	Working Pressure	Inlet Size	Hose Outlet	Reel Colour
	Wide	High	Deep									
AR100	10"	17½"	23"	10 kg/22 lbs	Compressed Air	60' (20m)	¾" (10mm)	Reinforced PVC	230psi (16 bar)	¾" BSPF	¼" BSPM	Red
AR200	10"	17½"	23"	10 kg/22 lbs	Compressed Air	50' (15m)	½" (12.5mm)	Reinforced PVC	230psi (16 bar)	¾" BSPF	¾" BSPM	Red
CW100	10"	17½"	23"	10 kg/22 lbs	Cold Wash 40°C	50' (15m)	½" (12.5mm)	Reinforced PVC	150psi (10 bar)	¾" BSPF	Bare Hose	Blue
HW100	10"	17½"	23"	10 kg/22 lbs	Hot Wash 90°C	40' (12m)	½" (12.5mm)	Reinforced Rubber	150psi (10 bar)	¾" BSPF	¾" BSPM	Red
HW100D	10"	17½"	23"	10 kg/22 lbs	Diesel Delivery	40' (12m)	½" (12.5mm)	Reinforced Rubber	230psi (16 bar)	¾" BSPF	½" BSPM	Blue
HW100P	10"	17½"	23"	10 kg/22 lbs	Propane	50' (15m)	¾" (10mm)	Reinforced Rubber	300psi (20 bar)	¾" BSPF	¾" BSPM	Red
DR100	10"	17½"	23"	10 kg/22 lbs	Garden Reel	60' (18m)	½" (12.5mm)	PVC	100psi (7 bar)	½" Male	Blank/Nozzle	Green
FQ100	10"	17½"	23"	10 kg/22 lbs	Food Quality Water 95°C	40' (12m)	½" (12.5mm)	Reinforced Rubber	300psi (20 bar)	¾" BSPF	¾" BSPM	Red
FQ200	10"	17½"	23"	10 kg/22 lbs	Food Quality (SS fittings)	40' (12m)	½" (12.5mm)	Reinforced Rubber	300psi (20 bar)	¾" BSPF	½" BSPM	White
WHP100	10"	17½"	23"	10 kg/22 lbs	High Pressure Water 95°C	40' (12m)	¾" (10mm)	Wire Reinforced Rubber	3000psi (205 bar)	¾" BSPF	¾" BSPM	Red
WP100	10"	17½"	23"	10 kg/22 lbs	Chemical	50' (15m)	¾" (10mm)	Reinforced PVC	200psi (14 bar)	¾" BSPF	Bare Hose	Red
OA100	10"	17½"	23"	10 kg/22 lbs	Oxy-Acetylene	40' (12m)	¼" (6mm)	Dual Hose Reinforced Rubber	200psi (14 bar)	¼" BSPF	¼" BSPM	Blue
OA200	10"	17½"	23"	10 kg/22 lbs	Oxy-Acetylene	30' (10m)	¾" (10mm)	Dual Hose Reinforced Rubber	200psi (14 bar)	¾" BSPF	¾" BSPM	Blue
OP100	10"	17½"	23"	10 kg/22 lbs	Oxy Propane	30' (10m)	¼" (6mm)	Dual Hose Reinforced Rubber	200psi (14 bar)	¼" BSPF	¼" BSPM	Blue
OP200	10"	17½"	23"	10 kg/22 lbs	Oxy Propane	30' (10m)	¾" (10mm)	Dual Hose Reinforced Rubber	200psi (14 bar)	¾" BSPF	¾" BSPM	Blue
OMP100	10"	17½"	23"	10 kg/22 lbs	Oil Med Pressure	30' (10m)	¾" (10mm)	Wire Reinforced Rubber	1000psi (69 bar)	¾" BSPF	¾" BSPM	Blue
OMP200	10"	17½"	23"	10 kg/22 lbs	Medium Pressure Oil	30' (10m)	½" (12.5mm)	Wire Reinforced Rubber	1000psi (69 bar)	¾" BSPF	½" BSPM	Blue
GR100	10"	17½"	23"	10 kg/22 lbs	Grease	30' (10m)	¼" (6mm)	Wire Reinforced Rubber	5000psi (340 bar)	¼" BSPF	¼" BSPM	Black
BH100	10"	17½"	23"	10 kg/22 lbs	Breathing Air (EN139)	50' (15m)	¾" (10mm)	Reinforced NBR/PVC	180psi (12 bar)	¾" BSPF	¾" BSPM	Red

All reels supplied with BU100 bracket for wall mounting to 1.8 mtr and overhead.

For higher wall or bench/floor mounting specify BB100 bracket when ordering. Additional mounting brackets are available.

SS Stainless Steel Spring Rewind Reels Air-Water-Steam-Food Industry-Diesel (max 3000 psi)

Constructed in heavy gauge 304 stainless steel and other non-corroding materials, SS hose reels are designed for use in harsh, corrosive environments or where hygiene is of primary importance. They are ideally suited to washdown applications in food processing and chemical manufacturing and should also be specified for offshore and marine applications where salt spray rules out the use of standard steel models.



FEATURES

- Heavy duty 304 stainless steel construction
- Double supported solid 1" stainless steel axle
- Multi-position roller arm gives full range of mounting options
- Four direction non-sag roller guides reduce hose wear
- 1/4" stainless steel mounting base for maximum stability
- Slotted and drilled mounting holes for easy installation
- Latching of hose at any length
- Fully automatic hose rewind for neat and tidy storage
- Externally mounted full-flow swivel for maximum product delivery
- All working parts fully accessible for servicing

Part Number	Reel Dimensions			Approx Weight less Hose	Hose Capacity			Max PSI	Swivel In/Out
	Wide	High	Deep		I.D.	O.D.	Feet		
SHL-N-350SS	9 1/4"	21"	19 5/8"	58 lb	3/8"	5/8"	50	300	3/8" BSPF
SHL-N-450SS	9 1/4"	21"	19 5/8"	58 lb	1/2"	7/8"	50	300	1/2" BSPF
SHL-N-525SS	9 1/4"	21"	19 5/8"	58 lb	3/4"	1 1/8"	25	300	3/4" BSPF
MPL-N-350SS	9 1/4"	21"	19 5/8"	58 lb	3/8"	5/8"	50	3000	3/8" BSPF

SS Stainless Steel Manual Rewind Reels Air-Water-Steam-Food Industry-Diesel (max 4000 psi)

Stainless steel hose reels are ideal for the food processing, pre-rinse, wash down, chemical transfer and industrial solvent handling markets. Also suitable for coastal, off-shore and onboard ship in marine applications where the harsh environment of salt spray requires the use of stainless steel constructed hose reels.

FEATURES

- Lightweight compact design
- Heavy duty 304 Stainless Steel construction
- Standard 4000psi working pressure
- Adjustable drag brake to prevent hose overspill
- Crank folds against frame when not in use
- Wall, floor, bench or mobile mounting



Part Number	Reel Dimensions			Approx Weight less Hose	Hose Capacity			Max PSI	Swivel In/Out
	Wide	High	Deep		I.D.	O.D.	Feet		
112-4-75SS	14"	13"	12"	21 lb	1/2"	7/8"	75	4000	1/2" BSPF
113-4-225SS	14"	18"	17"	33 lb	1/2"	7/8"	225	4000	1/2" BSPF
117-5-100SS	14"	18"	17"	36 lb	3/4"	1 1/8"	100	4000	3/4" BSPF

P-LP/SH Heavy Duty Spring Rewind Reels Air-Water-Food Industry-Diesel (max 300 psi)

P-LP/SH Heavy Duty hose reels are engineered for rugged durability. Constructed in 'heavy gauge' powder coated steel for maximum strength and reliability, these spring rewind reels provide years of trouble free service with minimum maintenance. The eight-position roller arm adjusts for wall, overhead and floor mounting while the full flow swivel ensures maximum product delivery. All models available with or without fitted hose.

FEATURES

- Heavy duty steel construction with durable blue powder finish
- Double supported solid 1" steel axle
- Multi-position roller arm gives full range of mounting options
- Four direction non-snap roller guides reduce hose wear
- 1/4" steel mounting base for maximum stability
- Slotted and drilled mounting holes for easy installation
- Latching of hose at any length

- Fully automatic hose rewind for neat and tidy storage
- Externally mounted full-flow swivel for maximum product delivery
- All working parts fully accessible for servicing

Hose's supplied at an extra cost.



Part Number	Reel Dimensions			Approx Weight less Hose	Hose Capacity			Max PSI	Swivel In/Out
	Wide	High	Deep		I.D.	O.D.	Feet		
P-LPL-125	6"	14 1/2"	13 3/4"	29 lb	1/4"	1/2"	25	300	1/4" BSPF
P-LPL-150	6 1/8"	18 1/4"	17 1/4"	39 lb	1/4"	1/2"	50	300	1/4" BSPF
P-LPL-325	6"	14 1/2"	13 3/4"	29 lb	3/8"	5/8"	25	300	3/8" BSPF
P-LPL-350	6 1/8"	18 1/4"	17 1/4"	39 lb	3/8"	5/8"	50	300	3/8" BSPF
SHL-N-375	9 1/4"	25 1/2"	23"	81 lb	3/8"	5/8"	75	300	3/8" BSPF
SHL-N-3100	9 1/4"	25 1/2"	23"	81 lb	3/8"	5/8"	100	300	3/8" BSPF
P-LPL-425	6 1/8"	18 1/4"	17 1/4"	39 lb	1/2"	7/8"	25	300	1/2" BSPF
SHL-N-450	9 1/4"	21"	19 5/8"	55 lb	1/2"	7/8"	50	300	1/2" BSPF
SHL-N-475	9 1/4"	25 1/2"	23"	81 lb	1/2"	7/8"	75	300	1/2" BSPF
SHL-N-4100	9 1/4"	25 1/2"	23"	81 lb	1/2"	7/8"	100	300	1/2" BSPF
SHL-N-525	9 1/4"	21"	19 5/8"	55 lb	3/4"	1 1/8"	25	300	3/4" BSPF
SHL-N-550	9 1/4"	25 1/2"	23"	81 lb	3/4"	1 1/8"	50	300	3/4" BSPF
SHL-N-635	10"	25 1/2"	23"	75 lb	1"	1 7/16"	35	300	1" NPTF

P-MP/MP/P-P/HP Heavy Duty Spring Rewind Reels Water-Steam-Oil-Grease (max 5000 psi)

Designed for medium and high pressure delivery of water, oil and grease these heavy duty reels feature the same design benefits as the P-LP/SH series. The oil and grease models are ideally suited to lubrication systems in automotive workshops where durability and reliability are paramount. For pressure washer users the 3000 psi/150c rating of the medium pressure water reels provides a solution to the problem of persistent hose damage.

FEATURES

- Heavy duty steel construction with durable blue powder finish
- Double supported solid 1" steel axle
- Multi-position roller arm gives full range of mounting options
- Four direction non-snap roller guides reduce hose wear
- 1/4" steel mounting base for maximum stability
- Slotted and drilled mounting holes for easy installation
- Latching of hose at any length

- Fully automatic hose rewind for neat and tidy storage
- Externally mounted full-flow swivel for maximum product delivery
- All working parts fully accessible for servicing

Hose's supplied at an extra cost.



Part Number	Reel Dimensions			Approx Weight less Hose	Hose Capacity			Max PSI	Swivel In/Out
	Wide	High	Deep		I.D.	O.D.	Feet		
P-MPL-325	7"	18 1/4"	17 1/4"	40 lb	3/8"	5/8"	25	3000	1 3/8" BSPF
MPL-N-350	9 1/4"	21"	19 5/8"	56 lb	3/8"	5/8"	50	3000	3/8" BSPF
MPL-N-375	9 1/4"	25 1/2"	23"	81 lb	3/8"	5/8"	75	3000	3/8" BSPF
P-MPL-425	7"	18 1/4"	17 1/4"	40 lb	1/2"	3/4"	25	2500	1/2" BSPF
MPL-N-450	9 1/4"	21"	19 5/8"	56 lb	1/2"	3/4"	50	2500	1/2" BSPF
MPL-N-475	9 1/4"	25 1/2"	23"	81 lb	1/2"	3/4"	75	2500	1/2" BSPF
P-HPL-125	7"	18 1/4"	17 1/4"	40 lb	1/2"	1/2"	25	5000	1/4" BSPF
HPL-N-150	9 1/4"	21"	19 5/8"	56 lb	1/4"	1/2"	50	5000	1/4" BSPF
P-HPL-325	7"	18 1/4"	17 1/4"	40 lb	3/8"	3/4"	25	4000	3/8" BSPF
HPL-N-350	9 1/4"	21"	19 5/8"	56 lb	3/8"	3/4"	50	4000	3/8" BSPF

C Dual Spring Rewind Hose Reels Air and/or Water (max 300 psi)



Pirtek C dual hose reels feature two heavy duty spring rewind hose reels on a single support post. Each reel operates independently for delivery of air or water. Finished in a durable coating of baked powder paint to resist corrosion C reels are ideal for twin service applications at one location reducing installation time and maximising use of available space. Both reels feature multi-position roller arms and latching of hose with fully automatic spring rewind. Swivels and spring cans are externally mounted for ease of access for servicing.

FEATURES

- Independent operation of each reel
- Heavy duty steel construction with durable blue powder coat finish
- Heavy duty 1/4" plate steel support post
- Twin solid 1" steel axles
- Multi-position roller guide arms
- Non-slag roller assemblies
- Latching of hose at any length
- Fully automatic hose rewind
- Full flow swivels for maximum product delivery
- Twin 1" oil-lite self-lubricating bearings

Hose's supplied at an extra cost.

Part Number	Reel Dimensions			Approx Weight less Hose	Hose Capacity			Max PSI	Swivel In/Out
	Wide	High	Deep		I.D.	O.D.	Feet		
C-LPL-325-325	11"	18"	17"	65 lb	3/8"	5/8"	25	300	3/8" BSPF
C-LPL-350-350	11"	18"	17"	65 lb	3/8"	5/8"	50	300	3/8" BSPF
C-LPL-425-425	11"	18"	17"	65 lb	1/2"	7/8"	25	300	1/2" BSPF

SP High Capacity Spring Rewind Hose Reels Air-Water-Oil-Food Industry-Diesel (max 1000 psi)

8



Pirtek SP high capacity reels are designed for high volume delivery of air, water and oil at low and medium pressures. Constructed in heavy gauge powder coated steel SP reels are suitable for use in fixed applications or on mobile service vehicles where longer lengths or larger diameters of hose are necessary but the convenience of spring rewind is still required. The roller guide can be set for floor, wall or overhead installation.

FEATURES

- Heavy duty steel construction with durable blue powder finish
- Double supported steel axle
- Stainless steel roller guides reduce hose wear
- Floor, wall or overhead mounting options
- Reinforced steel frame for maximum stability
- Drilled mounting holes for easy installation
- Latching of hose at any length
- Fully automatic hose rewind for neat and tidy storage
- Externally mounted full-flow swivel for maximum product delivery
- All working parts easily accessible for servicing

Hose's supplied at an extra cost.

Part Number	Reel Dimensions			Approx Weight less Hose	Hose Capacity			Max PSI	Swivel In/Out
	Wide	High	Deep		I.D.	O.D.	Feet		
SLPL-375	20"	24 1/2"	26"	145 lb	3/4"	1 1/4"	75	300	3/4" BSPF
SLPL-5100	20"	24 1/2"	26"	145 lb	3/4"	1 1/4"	100	300	3/4" BSPF
SLPL-625	21"	20 1/2"	25"	110 lb	1"	1 1/2"	25	300	1" NPTF
SLPL-650	21"	20 1/2"	25"	110 lb	1"	1 1/2"	50	300	1" NPTF
SLPL-675	21"	28 1/2"	30"	130 lb	1"	1 1/2"	75	300	1" NPTF
SMPL-550	20 1/2"	20 1/2"	22 1/2"	145 lb	3/4"	1 1/4"	50	1000	3/4" BSPF
SMPL-575	20"	24 1/2"	26"	145 lb	3/4"	1 1/4"	75	1000	3/4" BSPF
SMPL-5100	20"	24 1/2"	26"	145 lb	3/4"	1 1/4"	100	1000	3/4" BSPF
SMPL-625	21"	20 1/2"	25"	110 lb	1"	1 1/2"	25	1000	1" NPTF
SMPL-650	21"	20 1/2"	25"	110 lb	1"	1 1/2"	50	1000	1" NPTF
SMPL-675	21"	28 1/2"	30"	130 lb	1"	1 1/2"	75	1000	1" NPTF

SHW Spring Rewind Welding Reels Oxy-Acetylene/Oxy-Propane (max 200 psi)

SHW reels are designed for twin hose oxy-acetylene and oxy-propane gas applications. The robust powder coated steel construction combines maximum stability with ease of use while the dual ported swivel features multiple O rings for positive gas separation. The automatic hose rewind minimises the risk of hose damage and removes the potential trip hazard of loose hose from the floor. All SHW reels feature spark-free operation for added safety.

FEATURES

- Heavy duty steel construction with durable blue powder finish
- Double supported solid 1" steel axle
- Multi-position roller arm gives full range of mounting options
- Four direction non-sag roller guides reduce hose wear
- 1/4" steel mounting base for maximum stability
- Slotted and drilled mounting holes for easy installation
- Spark-free latching mechanism locks hose at any length
- Fully automatic hose rewind for neat and tidy storage
- Externally mounted dual ported swivel with multiple O rings
- All working parts fully accessible for servicing

Hose's supplied at an extra cost.



Model Reference	Reel Dimensions			Approx Weight less Hose	Hose Capacity			Max PSI	Swivel In/Out
	Wide	High	Deep		I.D.	O.D.	Feet		
SHWL-N-140	9 1/4"	21"	19 5/8"	55 lb	1/4"	1/2"	40	200	1/4" BSPM
SHWL-N-340	9 1/4"	21"	19 5/8"	55 lb	3/8"	5/8"	40	200	3/8" BSPM
SHWL-N-375	9 1/4"	25 1/2"	23"	81 lb	3/8"	5/8"	75	200	3/8" BSPM

DP Dual Spring Rewind Hose Reels Air-Water-Oil (max 2500 psi)

Pirtek DP reels feature two independent swivel joints and two outlet risers to simultaneously handle two hoses of equal length on one reel. Siamesed, separate or hoses of different diameters can be accommodated in which case the larger hose diameter determines the capacity of the reel. Finished in a durable coating of baked powder paint to resist corrosion DP reels are ideal for twin service delivery to a single source or flow/return applications. All reels feature latching of hose with fully automatic spring rewind.

FEATURES

- Twin inlets/outlets on a single drum
- Heavy duty steel construction with durable blue powder finish
- Reinforced steel frame for maximum stability
- Suitable for floor, wall or overhead mounting
- Latching of hose at any length
- Fully automatic spring rewind
- Externally mounted full flow swivels for maximum product delivery
- Four way stainless steel roller guides reduce hose wear
- All working parts easily accessible for servicing



Model Reference	Reel Dimensions			Approx Weight less Hose	Hose Capacity			Max PSI	Swivel In/Out
	Wide	High	Deep		I.D.	O.D.	Feet		
DLPL-350	22"	20"	25"	115 lb	3/8"	5/8"	2 x 50	300	1/2" BSPF
DLPL-450	22"	20"	25"	115 lb	1/2"	7/8"	2 x 50	300	1/2" BSPF
DMPL-350	22"	20"	25"	115 lb	3/8"	5/8"	2 x 50	2500	1/2" BSPF
DMPL-450	22"	20"	25"	115 lb	1/2"	7/8"	2 x 50	2500	1/2" BSPF

Competitor Hand Cranked and Power Rewind 1125 SERIES Air-Water-Oil (max 3000 psi)

“Competitor” hand crank reels are designed for industrial applications where longer lengths of hose are required. Constructed in heavy gauge powder coated steel, all models are assembled and ready for wall, floor or overhead installation. The direct crank action combined with twin bearings requires minimum rewind effort, while the spring-loaded locking pin prevents drum rotation when not in use. “Competitor” power rewind reels combine the necessity of long hose lengths with the convenience of automatic rewind.



FEATURES

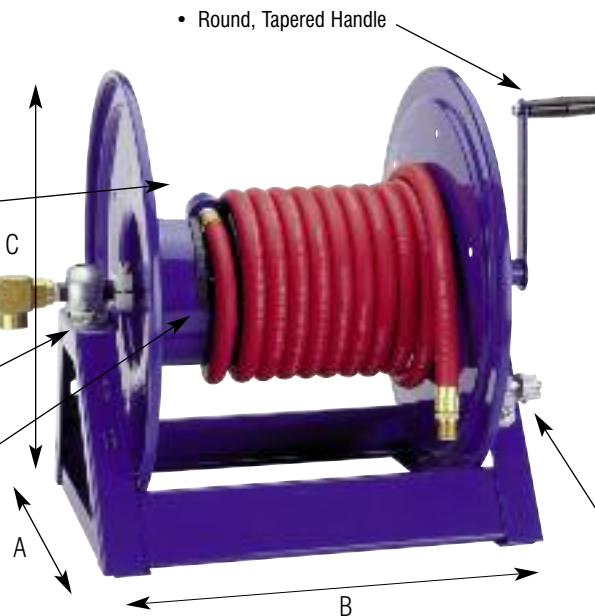
- Discs: Heavy gauge steel with rolled edges to add strength and eliminate hose damage
- Solid frame: All steel
- Rewind hand crank: Solid steel with a roller hand grip
- Swivel joint: Permits reel to rotate smoothly while connected to the fluid source. Brass and steel are used as standard for swivel joint inlets. Stainless steel and other alloys can be supplied to meet special requirements
- Bearing: Self-aligning pillow block bearings support the drum assembly
- Rewind mechanism: Positive gear drive on all power rewind reels
- Drum assembly: All Steel
- Axle/riser assembly: Provides full flow through the internal plumbing
- Lock pin: Standard on hand crank models, available at extra cost on power rewind
- Tension brake: Standard on hand crank models
- Rewind motor: Electric rewind. Compressed air motors also available

All reels supplied without hose.

8

SPECIAL FEATURES

- Low Profile Outlet Riser
- Full Flow Brass Swivel Joint
- Long-Wearing Corrosion Resistant Adjustable Tension Brake
- Open Hose Slot Drum Design



• Round, Tapered Handle

Product temperatures:

These reels handle product temperatures from -20° to +225°F.

Product working pressure:

Standard working pressure is 3000psi. Optional 5000psi available

A - AIR REWIND

No. 4 gast compressed air motor

ED - ELECTRIC DC

Explosion proof 1/2 H.P. rewind reversible type

E - ELECTRIC DC

Non explosion proof 1/3 H.P. rewind reversible type

EA - ELECTRIC AC

Explosion proof 115V 1/2 H.P. rewind, A.C. motor reversible

• Long Handled Lock Pin

I.D. O.D.	Hose Capacity			Part Number	Depth A	Reel dimensions in inches						Inlet & Outlet Size B.S.P.F. (ins)	Working Pressure P.S.I.	Approx Lbs
	3/8"	1/2"	3/4"			Width B (Crank)	Width B (Elect)	Width B (Air)	Height C (Crank)	Height C (Elect)	Height C (Air)			
	140	100		1125-4-100	17"	21 3/4"	18 3/8"	16 1/2"	18 1/8"	18 3/4"	18 3/4"	1/2"	3000	36
	300	200		1125-4-200	17"	27 3/4"	24 3/8"	22 1/2"	18 1/8"	18 3/4"	18 3/4"	1/2"	3000	38
	450	325		1125-4-325	17"	33 3/4"	30 3/8"	28 1/2"	18 1/8"	18 3/4"	18 3/4"	1/2"	3000	43
	625	450		1125-4-450	17"	39 3/4"	36 3/8"	34 1/2"	18 1/8"	18 3/4"	18 3/4"	1/2"	3000	52
	100	50		1125-5-50	17"	21 1/4"	18 3/8"	16 1/2"	18 1/8"	18 3/4"	18 3/4"	3/4"	3000	37
	200	100		1125-5-100	17"	27 1/4"	24 3/8"	22 1/2"	18 1/8"	18 3/4"	18 3/4"	3/4"	3000	39
	325	175		1125-5-175	17"	33 1/4"	30 3/8"	28 1/2"	18 1/8"	18 3/4"	18 3/4"	3/4"	3000	44
	500	250		1125-5-250	17"	43 1/4"	40 3/8"	38 1/2"	18 1/8"	18 3/4"	18 3/4"	3/4"	3000	59

Competitor Hand Cranked and Power Rewind 1175 Series Air-Water-Oil (max 3000 psi)

Series 1175 hand crank reels are designed for industrial applications where longer lengths of hose are required. Constructed in heavy gauge powder coated steel, all models are assembled and ready for wall, floor or overhead installation. The direct crank action combined with twin bearings requires minimum rewind effort, while the spring-loaded locking pin prevents drum rotation when not in use. Series 1175 power rewind reels combine the necessity of long hose lengths with the convenience of automatic rewind.

FEATURES

- Discs: Heavy gauge steel with rolled edges to add strength and eliminate hose damage
- Solid frame: All steel
- Lock pin: Standard on hand crank models, available at extra cost on power rewind
- Rewind motor: Electric, compressed air motors available
- Swivel joint: Permits reel to rotate smoothly while connected to the fluid source. Aluminium and steel are used as standard for swivel joint inlets. Stainless steel and other alloys can be supplied to meet special requirements
- Bearing: Self-aligning pillow block bearings support the drum assembly
- Rewind mechanism: Chain and sprocket drive on all power rewind reels
- Drum assembly: All Steel
- Axle/riser assembly: Provides full flow through the internal plumbing
- Rewind hand crank: Solid steel with a roller hand grip
- Tension brake: Standard on hand crank models



Rewind:

Hand crank - crank attaches to axle and is permanent or removable at the user's option. Motor - chain and sprocket drive; Hand crank available as an option.

Inlet Swivel Assembly:

Series	Swivel Assembly
1175-6 Series	1" female N.P.T. 90°
1175-8 Series	1 - 1/2" female N.P.T. straight

Outlet Riser:

Series	Riser
1175-6 Series	1" female N.P.T.
1175-8 Series	1 - 1/2" female N.P.T.

Garden hose thread available; consult factory.

Hose Roller Guides:

See page 195 for details.

Product temperatures:

These reels handle product temperatures from -20° to +225°F.

Product working pressure:

See table below.

I.D.	Hose Capacity				Part Number	Reel dimensions in inches					Inlet & Outlet Size B.S.P.F. (ins)	Working Pressure P.S.I.	Approx Lbs
	3/4"	1"	1 1/4"	1 1/2"		Depth A	Width B (Crank)	Width B (Elect)	Width B (Air)	Height C			
O.D.	1 1/4"	1 7/16"	1 13/16"	2 1/16"									
	100	50			1175-6-50	24"	24 3/4"	20 3/8"	18 1/2"	26 1/4"	1"	3000	90
	150	100			1175-6-100	24"	28 3/4"	24 3/8"	22 1/2"	26 1/4"	1"	3000	98
	250	150			1175-6-150	24"	32 3/4"	28 3/8"	26 1/2"	26 1/4"	1"	3000	106
	300	200			1175-6-200	24"	37 3/4"	32 7/8"	31"	26 1/4"	1"	3000	115
			75	50	1175-8-50	24"	24 1/16"	-	-	-	1 1/2"	600	118
			125	100	1175-8-100	24"	32 9/16"	-	-	-	1 1/2"	600	133
			220	150	1175-8-150	28"	37 9/16"	-	-	-	1 1/2"	600	170

Competitor Hand Cranked and Power Rewind 1185 & 1195 SERIES Air-Water-Oil (max 3000 psi)

Series 1185 & 1195 hand crank reels are designed for industrial applications where longer lengths of hose are required. Constructed in heavy gauge powder coated steel, all models are assembled and ready for wall, floor or overhead installation. The direct crank action combined with twin bearings requires minimum rewind effort, while the spring-loaded locking pin prevents drum rotation when not in use. Series 1185 & 1195 power rewind reels combine the necessity of long hose lengths with the convenience of automatic rewind.

FEATURES

- Discs: Heavy gauge steel with rolled edges to add strength and eliminate hose damage
- Solid frame: All steel
- Lock pin: Standard on hand crank models, available at extra cost on power rewind
- Rewind motor: Electric, compressed air motors available
- Swivel joint: Permits reel to rotate smoothly while connected to the fluid source. Aluminium and steel are used as standard for swivel joint inlets. Stainless steel and other alloys can be supplied to meet special requirements
- Bearing: Self-aligning pillow block bearings support the drum assembly
- Rewind mechanism: Chain and sprocket drive on all power rewind reels
- Drum assembly: All Steel
- Axle/riser assembly: Provides full flow through the internal plumbing
- Rewind hand crank: Solid steel with a roller hand grip
- Tension brake: Standard on hand crank models



8

Part Number	Reel Dimensions			Drum Diameter	Inlet/Outlet N.P.T Females	Working Pressure	Hose Capacity	Approx Weight Less Hose
	Wide	High	Deep					
1185L-8-175	46"	25"	24"	10½"	1½" x 1½"	600psi	175'	165lbs
1185L-8-250	46"	29"	28"	10½"	1½" x 1½"	600psi	250'	181lbs
1195L-10-50	20"	34"	32"	10½"	2" x 2"	600psi	50'	142lbs
1195L-10-75	24"	34"	32"	15½"	2" x 2"	600psi	75'	165lbs
1195L-10-100	31"	34"	32"	15½"	2" x 2"	600psi	100'	206lbs

PR Series Portable Hose Reels Air-Water-Oil (max 3000 psi)

PR series trolley mounted reels are constructed from heavy gauge powder coated steel and allow you to move heavy long lengths of hose from one site to another with minimum effort. All swivel joints are 90 degrees and the fluid path will handle product temperatures from -20° F to +225° F.

FEATURES

- All steel heavy duty construction
- A positive steel lock pin – prevents drum from turning when in transit
- Removable handle for compact storage and shipping
- Solid rubber tyres
- Steel front legs with rubber front feet – prevents reel from slipping forward when pulling out hose
- Adjustable drag brake – prevents hose backlash when unreeling

Part Number	Reel Dimensions			Approx Weight less Hose	Hose Capacity			Max PSI	Swivel In/Out
	Wide	High	Deep		I.D.	O.D.	Feet		
PRL-4-200	19"	40 3/4"	18 1/2"	56 lb	1/2"	7/8"	200	3000	1/2" BSPF
PRL-6-100	18 1/2"	40 3/4"	22 3/4"	85 lb	1"	1 1/2"	100	3000	1" NPTF
PRL-4-100	21 3/4"	40 3/4"	20 3/4"	50 lb	1/2"	7/8"	100	3000	1/2" NPTF
PRL-5-50	21 3/4"	40 3/4"	20 3/4"	50 lb	3/4"	1 1/8"	50	3000	3/4" NPTF
PRL-6-150	32 3/4"	40 3/4"	27 1/2"	89 lb	1"	1 1/2"	150	3000	1" NPTF
PRL-8-75	28 3/4"	40 3/4"	27 1/2"	90 lb	1 1/2"	2 1/16"	75	600	1 1/2" NPTF



Challenger High Pressure Hand Cranked Hose Reels Pressure Wash-Steam-Water-Air (max 4000 psi)

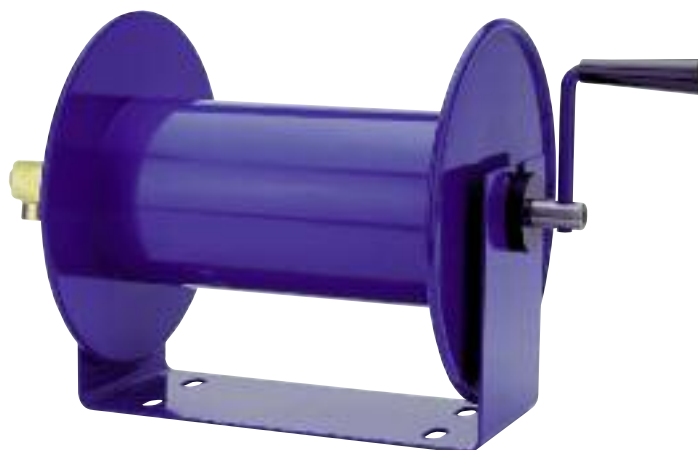
Challenger offers high performance in a compact, lightweight hand cranked hose reel. Constructed in heavy gauge steel with a durable powder finish Challenger reels are suitable for wall, floor or bench mounting. They can also be installed on mobile pressure washer units or trailers where size and weight are important factors. Although designed primarily for pressure wash and steam cleaning applications these reels can also be used with air and washdown hoses – ask for details.

SELECTED MODELS ALSO AVAILABLE IN STAINLESS STEEL

FEATURES

- Lightweight, compact design
- Heavy duty steel construction
- Durable baked powder coat finish
- Standard 4000psi working pressure
- Maximum temperature 107°C
- Direct hand crank rewind
- Full flow swivel for maximum product delivery
- Adjustable drag brake to prevent hose overspill
- Crank handle folds against frame when not in use
- Wall, floor, bench or mobile mounting

Part Number	Reel Dimensions			Approx Weight less Hose	Hose Capacity			Max PSI	Swivel In/Out
	Wide	High	Deep		I.D.	O.D.	Feet		
112L-3-100	9"	13"	12"	18.5 lb	3/8"	5/8"	100	4000	3/8" BSPF
112L-3-150	14"	13"	12"	21 lb	3/8"	5/8"	150	4000	3/8" BSPF
112L-3-250	19 1/2"	18"	17"	30"	3/8"	5/8"	250	4000	3/8" BSPF
112L-4-75	14"	13"	12"	21 lb	1/2"	7/8"	75	4000	1/2" BSPF
112L-4-225	14"	18"	17"	33 lb	1/2"	7/8"	225	4000	1/2" BSPF



EN Enclosed Heavy Duty Spring Rewind Reels Air-Water-Oil-Grease (max 5000 psi)



Pirtek EN enclosed reels offer the same innovative design features and benefits as their open counterparts but in a rugged steel cabinet for maximum protection. The 3-piece enclosure which provides easy access for installation and maintenance is finished with a durable coating of baked powder paint which prevents corrosion under normal circumstances. The hose roller guide can be moved to any position on the drum to suit all mounting options.

FEATURES

- Heavy duty steel construction with durable blue powder finish
- 3-piece enclosure for maximum protection
- Double supported solid 1" steel axle
- 1/4" steel mounting base for maximum stability
- Slotted and drilled mounting holes for easy installation
- Latching of hose at any length
- Fully automatic hose rewind for neat and tidy storage
- Externally mounted full-flow swivel for maximum product delivery
- All working parts easily accessible for servicing

Part Number	Reel Dimensions			Approx Weight less Hose	Hose Capacity			Max PSI	Swivel In/Out
	Wide	High	Deep		I.D.	O.D.	Feet		
ENL-N-125	7"	18 3/4"	18 3/4"	53 lb	1/4"	1/2"	25	300	1/4" BSPF
ENL-N-150	7"	18 3/4"	18 3/4"	53 lb	1/4"	1/2"	50	300	1/4" BSPF
ENL-N-325	7"	18 3/4"	18 3/4"	53 lb	3/8"	5/8"	25	300	3/8" BSPF
ENL-N-350	9 1/4"	21 3/4"	21 3/4"	68 lb	3/8"	5/8"	50	300	3/8" BSPF
ENL-N-425	7"	18 3/4"	18 3/4"	53 lb	1/2"	7/8"	25	300	1/2" BSPF
ENL-N-450	9 1/4"	21 3/4"	21 3/4"	68 lb	1/2"	7/8"	50	300	1/2" BSPF
ENML-N-325	7"	18 3/4"	18 3/4"	53 lb	3/8"	5/8"	25	3000	3/8" BSPF
ENML-N-350	9 1/4"	21 3/4"	21 3/4"	68 lb	3/8"	5/8"	50	3000	3/8" BSPF
ENML-N-425	7"	18 3/4"	18 3/4"	53 lb	1/2"	3/4"	25	2500	1/2" BSPF
ENML-N-450	9 1/4"	21 3/4"	21 3/4"	68 lb	1/2"	3/4"	50	2500	1/2" BSPF
ENHL-N-125	7"	18 3/4"	18 3/4"	53 lb	1/4"	1/2"	25	5000	1/4" BSPF
ENHL-N-150	9 1/4"	21 3/4"	21 3/4"	68 lb	1/4"	1/2"	50	5000	1/4" BSPF
ENHL-N-325	7"	18 3/4"	18 3/4"	53 lb	3/8"	3/4"	25	4000	3/8" BSPF
ENHL-N-350	9 1/4"	21 3/4"	21 3/4"	68 lb	3/8"	3/4"	50	4000	3/8" BSPF

DM/CM Series Portable Hose Reels Air-Water-Pressure Wash (max 3000 psi)

Dolly and Caddy Reels save effort and eliminate fatigue associated with manual hose coiling. Save time and increase your productivity by getting the hose to the job site more efficiently. Hand crank hose reels do away with the frustration and create a safer working environment while conveniently storing hose until you need it.

DOLLY REEL FEATURES

- All steel construction
- Heavy duty 1-1¼" round tube frame structure
- Removable handle for compact storage and shipping
- Solid 8" rubber tyres
- Rubber front feet – prevents reel from slipping forward when pulling out hose
- Adjustable drag brake – prevents hose backlash when unreeling

Hose supplied at an extra cost.



Part Number	Reel Dimensions			Approx Weight less Hose	Hose Capacity			Max PSI	Swivel In/Out
	Wide	High	Deep		I.D.	O.D.	Feet		
117L-3-200DM	20 3/8"	40"	19"	37 lb	3/8"	3/4"	200	3000	3/8" BSPF
117L-4-225DM	24 7/8"	40"	19"	39 lb	1/2"	7/8"	225	3000	1/2" BSPF

CADDY REEL FEATURES

- Full flow 90° swivel inlet
- All steel construction
- Heavy duty 1" round tube frame structure
- Rigid 1" diameter round handle for carrying to work site
- Adjustable drag brake – prevents hose backlash when unreeling
- Reels have larger mounting base – for permanent installations
- Hose control bar – prevents hose from slipping off side discs when pulling from an angle

Hose supplied at an extra cost.



Part Number	Reel Dimensions			Approx Weight less Hose	Hose Capacity			Max PSI	Swivel In/Out
	Wide	High	Deep		I.D.	O.D.	Feet		
112L-3-100CM	12"	13 3/4"	13"	22 lb	3/8"	3/4"	100	3000	3/8" BSPF
112L-3-150CM	16 1/2"	13 3/4"	13"	25 lb	3/8"	3/4"	150	3000	3/8" BSPF
112L-3-225CM	16 1/2"	19"	17 3/4"	30 lb	1/2"	7/8"	225	3000	1/2" BSPF

SD Static Discharge Spring Rewind Cable Reels



Pirtek SD reels provide convenient storage of static grounding cable with fast payout and automatic spring rewind. Designed for safe and reliable grounding of vehicles, aircraft and other equipment requiring static bonding these heavy duty reels are supplied complete with 50 or 100 feet of orange vinyl covered galvanised steel cable. Finished in a durable coating of blue baked powder paint all models feature a multi-position rewind guide arm and latching of cable at any length.

“Y” Branches and models with stainless steel cable are also available as options

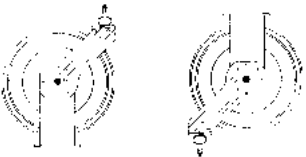
FEATURES

- Heavy duty construction
- 3/16" galvanised steel cable with high-visibility orange vinyl cover
- Fully automatic spring rewind
- Non-sparking latching mechanism
- 50 amp grounding clamp
- Multi-position rewind guide arm
- 1" solid steel axle
- Durable blue powder coat finish
- Cartridge style spring motor
- Zinc plated current path
- Maximum resistance 2.0 ohm (SD-100)

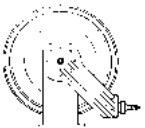
Part Number	Reel Dimensions			Approx Weight with Cable	Cable		Max Resistance
	Wide	High	Deep		Feet	O.D.	
SD-35	4"	12"	11"	18 lb	35	3/16"	1.0 ohm
SD-50	4"	12"	11"	20 lb	50	3/16"	1.0 ohm
SD-75	4"	15"	14 1/2"	31 lb	75	3/16"	2.0 ohm
SD-100	4"	13 1/2"	13"	32 lb	100	3/16"	2.0 ohm

Series S/SH and MP/HP models

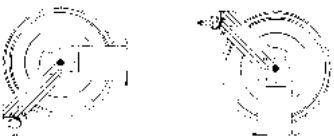
FLOOR/CEILING MOUNT "FM"



BOTTOM/TRUCK MOUNT "BM"

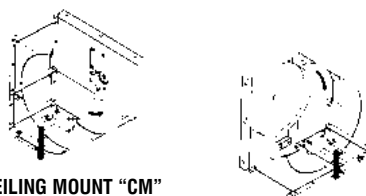


WALL/TRUCK MOUNT "WM"

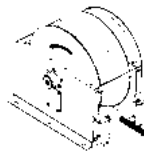


Series SP models

WALL MOUNT "WM"



CEILING MOUNT "CM"



TRUCK/FLOOR MOUNT "FM"

Arrows show direction of reel rotation and direction in which hose unwinds from reel.

For ceiling and wall mounts Bracket Assembly 20458 must be fitted. Call for details.

WARRANTY POLICY

All hose reel products supplied by Pirtek are warranted from 1 to 5 years depending on manufacturer. If within the warranty period any such product is proved, to the satisfaction of Pirtek, to be defective the product shall be repaired or replaced at the discretion of Pirtek without charge. No responsibility is assumed for improper choice of models or where products are used in excess of their rated capacities and design functions. All hose supplied by Pirtek is sourced from reliable commercial sources and is recommended for use on the basis of data supplied by the manufacturer. Pirtek assumes no responsibility for any other application or use. Hose supplied by Pirtek carries the warranty as listed by the manufacturer. A flexible connection must be used between the hose reel and supply. Use of a solid connection will void the swivel warranty.

IMPORTANT!

When ordering, be sure to add the code for the desired hose guide position to the reel model number, ie SHL-N-450 WM. Unless otherwise specified, reels will be shipped with hose guides in the FM floor mount position.

Spring motors must be matched to the application in order for the hose to payout properly and retract automatically. When ordering please specify the following: 1) How the reel will be installed including height from the floor, 2) If a bare reel, the specification of the hose to be fitted, 3) Weight of any tool to be fitted to the hose, 4) Product to be transferred through the reel/hose.

EZ-COIL SAFETY SERIES Featuring the EZ-Coil Rewind Safety System

The EZ-Coil™ Rewind Safety System is a patent pending rotary-dampening system exclusively researched and designed by the Engineering Department at Coxreels. The EZ-Coil™ Rewind Safety System controls and eliminates the high-speed recoil motion associated with conventional spring driven hose reels with no increase in the amount of resistance when pulling out the hose. Years of research and design went in to producing, what is to become the industry standard in spring driven hose reel safety and technology.

All reels supplied without hose.

SAFETY BENEFITS

The slower controlled rewind action greatly increases operator safety, as well as the safety of the people and property in the surrounding area, by eliminating the high speed whipping action that results from a conventional spring driven hose reel. It is the most affordable and cost-effective solution to eliminating the danger of personal injury and destruction of property caused by careless operation of spring driven hose reels in the workplace.

EZ-COIL™ Performance Evaluation Chart

	"REWIND SPEED" ft./sec.	"WHIPPING RADIUS" ft.	"IMPACT" ft./lbs.
Conventional Spring Driven Hose Reel	25	5 - 15	500
Coxreels' "SAFETY SERIES" Hose Reel Featuring EZ-Coil™	5	0	0 - 1

SAFETY SERIES FEATURES

- Equipped with the EZ-Coil™ Rewind Safety System
- No electricity required
- Pull-out tension remains unaffected
- Powder painted "Safety Yellow"
- Smooth Rolled Edges on the Drum
- Cartridge-style spring motor affords "safe replacement"

COXREELS STANDARD FEATURES

- Heavy Duty Construction, Made in the USA
- Available in low, medium & high pressure
- Heavy duty 1/4" plate steel support post and mounting plate
- 1" oil-lite self-lubricating bearing
- Solid 1" steel centre support shaft
- Full flow swivel joint
- Adjustable arm guide wall, floor, ceiling and pit mountable
- Eight position locking ratchet
- 4 roller non-sag hose guide (6 on EZ-T Series)
- Reel supported on both sides by pedestal style base and arm guides (EZ-T Series only)
- **Triple support points to the centre shaft (EZ-T Series only)**

Model Reference	Reel Dimensions			Hose Capacity		Max PSI	Max Bar	Swivel In/Out
	Wide	High	Deep	I.D.	O.D.			
EZ-P-LPL-325	6 1/4"	14 1/2"	13 1/4"	3/8"	5/8"	25/8m	300	20 3/8" BSPF
EZ-P-LPL-350	6 1/8"	18 1/4"	13 1/4"	3/8"	5/8"	50/15m	300	20 3/8" BSPF
EZ-P-MPL-425	7"	18 1/4"	17 1/4"	1/2"	3/4"	25/8m	3000	200 1/2" BSPF
EZ-SHL-N-450	9 1/4"	21"	19 5/8"	1/2"	3/4"	50/15m	300	20 1/2" BSPF
EZ-SHL-N-525	9 3/4"	21"	19 5/8"	3/4"	1 1/8"	25/8m	300	20 3/4" BSPF
EZ-MPL-N-450	9 1/4"	21"	19 5/8"	1/2"	3/4"	50/15m	3000	200 1/2" BSPF
EZ-SHL-N-375	9 1/4"	25 1/2"	23	3/8"	5/8"	75/23m	300	20 3/8" BSPF
EZ-SHL-N-3100	9 1/4"	25 1/2"	23	3/8"	5/8"	100/30m	300	20 3/8" BSPF
EZ-SHL-N-475	9 1/4"	25 1/2"	23	1/2"	3/4"	75/23m	300	20 1/2" BSPF
EZ-SHL-N-4100	9 1/4"	25 1/2"	23	1/2"	3/4"	100/30m	300	20 1/2" BSPF
EZ-SHL-N-550	9 3/4"	25 1/2"	23	3/4"	1 1/8"	50/15m	300	20 1/2" BSPF



Performance Safety Reel - EZ-P Series

Low Pressure Coxreels

The standard hose is for air or water service only. The basic reel without hose can be used for air, water or oil. Maximum temperature 150° F.

Medium Pressure Coxreels

Suitable for air, water or oil applications. Maximum temperature 250° F. Maximum pressure 3000 psi



Heavy Duty Safety Reel - EZ-SH, MP & HP Series

Low Pressure Coxreels

Can be used for multiple applications such as compressed air, water, oil, diesel, breathing air etc. Supplied as standard without hose, and covering pressures up to 300psi (20 bar) and temperatures up to 250° F.

Medium Pressure Coxreels

Can be used for multiple applications such as oil jetting, air and water. Working pressures up to 3000psi (200 bar) and temperatures up to 150°F.



Heavy Duty Large Capacity Safety Reel - EZ-T Series

Low Pressure Coxreels

The standard hose is for air or water service only. The basic reel without hose can be used for air, water or oil. Maximum temperature 150°F.

EZ-COIL SAFETY SERIES Featuring the EZ-Coil Rewind Safety System



8

E-Zy - 880 series

Part Number	Inlet / Outlet	Max Pressure psi/bar	Bore Size	Hose Length Ft / m	Dimensions	Weight kgs
C880-4100L	1/2" x 1/2"	300 / 20	1/2"	100 / 30	69H x 27W x 62D	56
C880-550L	3/4" x 3/4"	300 / 20	3/4"	65 / 20	69H x 27W x 62D	58
C880-650L	1" x 1"	300 / 20	1"	50 / 15	69H x 27W x 62D	60

C701 & C705 Series

Part Number	Temperature Deg C	Max Pressure psi/bar	Bore Size	Hose Length Ft / m	Dimensions	Weight kgs
C705-100	60°	180 / 12	1/4"	33' / 10	31H x 16W x 34D	5.7
C705-200	60°	180 / 12	3/16"	25' / 8	31H x 16W x 34D	5.7
C701-100	60°	300 / 20	3/8"	50' / 15	40H x 22W x 44D	12.5
C701-200	60°	300 / 20	1/2"	50' / 15	40H x 22W x 44D	12.5

C605 Cable Reels - (Optional LED light)

Part Number	Cable Length Ft / m	Number of Cores	Voltage	Amps In / Out	Reel Colour	Additional Lead Light	Dimensions	Weight kgs
C605-100	50' / 15	3 x 1.5mm	240v	3 / 10	Blue	NO	28H x 16W x 33D	5.2
C605L3/2	50' / 15	3 x 1.5mm	240v	3 / 10	Blue	+ 60 L.E.D's	28H x 16W x 33D	5.6

Accessories for Pirtek Hose Reels



Swivel Assemblies

Pirtek 90° Swivel Assemblies are available in the following sizes:

Part Number	In/Out	Max Pressure (psi)
T1969-BSP	1/4" x 1/4"	3000 psi
T499-BSP	1/4" x 1/4"	3000 psi
T433-BSP	3/8" x 3/8"	3000 psi
T521-BSP	3/8" x 3/8"	4000 psi
T434-BSP	1/2" x 1/2"	3000 psi
T426-BSP	3/4" x 3/4"	3000 psi
T7231-NPT	1" x 1"	300 psi
T15257-1	1" x 1"	1000 psi

Stainless Steel swivels also available, Please ask our Technical sales staff for details.

Mounting Brackets



T15720 Mounting bracket, allows the reel unit to swivel through 180°. Constructed in Heavy gauge powder coated steel. P' & SH Series only.



T15720-SS Mounting bracket again allows the reel units swivel through 180°. Constructed in 304 grade stainless steel. P', SH & Truck series reels only.



TMR1 "I" or "H" Beam Mounting Bracket for Heavy Duty Reels. Fits 3" to 8 1/2" flange on "I" or "H" beams. Specify reel model at time of ordering.

Roller Guides



T4RB Face mounted roller guide, for use with hose up to 3/4" (19mm) internal bore. Ideal for use through panels. Also available with solid Rollers (T4SR)

T1728-1 Right angled roller guide, for use with hose up to 3/4" (19mm) internal bore. These guides are ideal for payout along walls. Also available with solid rollers, and in stainless steel. (T1728 & T1728-1-SS).



T15217 Large four way roller assembly for use on cabinet/door openings, or similar locations where sharp edges may cut or damage the hose being handled. Supplied as standard on SP, DP series reels. Hoses up to 1 1/2" Internal bore.



T1829-1 Truck series roller guide for use with hose up to 1" internal bore. Right angles edges allow both ends to be fixed. Also available with solid rollers and in stainless steel (T1829-1-SS & T1828-1).

T7527 These roller guides have two rollers horizontally and two vertically. This enables large bore hoses up to 1 1/4" bore to be handled easily. Supplied as standard on SHL-N-635.

Connecting Hoses

Connecting hoses for all applications are available.



CONNECTING HOSES FOR PIRTEK HOSE REELS			
Part Number	FT x I.D..	Max PSI	End Fittings
TGC5A	3' X 1/4"	300	1/4" BSPMT
TGC5B	3' X 1/4"	5000	1/4" BSPMT
TGC6A	3' X 3/8"	300	3/8" BSPMT
TGC6B	3' X 3/8"	3000	3/8" BSPMT
TGC7A	3' X 1/2"	300	1/2" BSPMT
TGC7B	3' X 1/2"	3000	1/2" BSPMT
TGC8A	3' X 3/4"	300	3/4" BSPMT
TGC8B	3' X 3/4"	1000	3/4" BSPMT
TGC9A	3' X 1"	230	1" BSPMT
TGC9B	3' X 1"	1000	1" BSPMT



Swivel Assemblies

Pirtek Hose Stoppers are available in the following sizes:

Part Number	Hose I.D.	Hose O.D.
T131	1/4" x 3/8"	5/8"
T254	1/2"	7/8"
T430	3/4"	1 1/8"
T20214	1"	1 1/2"
T20215	1 1/4"	1 3/4"
T20216	1 1/2"	2"



Additional/Optional Brackets for Retractable Reels

As standard, all Retractable hose reels are supplied with the BU100 bracket suitable for wall mounting up to 6' (1.80m), and overhead mount up to 15' (4.60m). These are available separately to allow the reel to be moved from point to point. The BB100 bracket should be specified at the time of ordering for wall mount from 6' to 15' and bench /floor mount.

Tecreel (375, Type 4, 4 Port, Multi Function, 2 and 4 Port Swivel range)



The Pirtek range of self retracting hose reels provides an efficient means of conveying hydraulic power from fixed to moving points on forklift trucks, cranes and other materials handling equipment. An integral coil spring ensures that the hoses remain constantly under tension.

Four models are available, each complemented by a choice of two or four port swivels providing 180° of free hose movement.

All models can be supplied in various flange diameters, hose bore and pull off lengths.

FEATURES

- Pressure range from 170 - 300 bar
- Slim, compact design
- Easy installation
- Low pressure loss
- Long life return spring and seals

375 Range

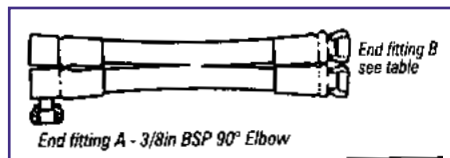


Performance Data

Flow Rate per minute	Pressure Drop	
	With twin 4.5m (15 ft) hoses, 3/16" in bore	With twin 5m (16 ft) hoses, 3/8" in bore
22.7 Litres (5 Gall)	17 Bar (246 psi)	8 Bar (116 psi)
45.5 Litres (10 Gall)	36 Bar (522 psi)	19 Bar (275 psi)

The above figures are based on ESSO NUTO H32 @ 25-28°C viscosity 55/63 cSt.

Tecreel 375 Hose Assembly



Optional Extras

Part Number	Threads
G04R06	3/8" BSP x 1/4" BSP
G06R06	3/8" BSP x 3/8" BSP
34873-609	3/8" BSP x M16 x 1.5
34873-211	3/8" BSP x 3/16" JIC

Seal Kit

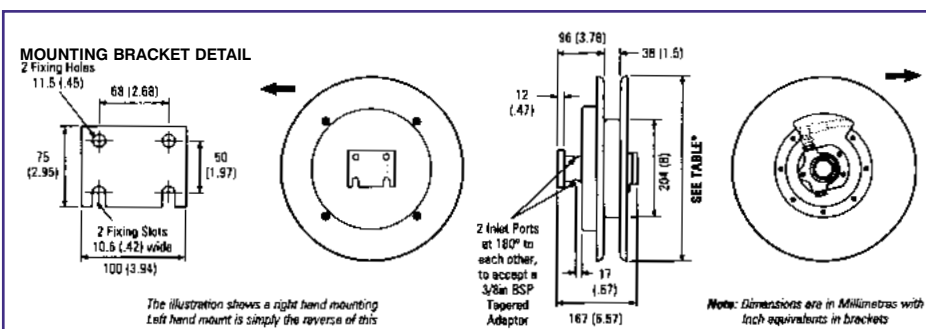
Part Number	Threads
51892	375 Tecreel Replacement Seal Kit

Part Number	Hose Length	Hose Bore	End Fitting B
<i>(TL - Left Hand Mounting, TR - Right Hand Mounting)</i>			
TL/R 31800 - Flange Dia. is 318mm (12.5in)*			
TL/TR 31800/401	4100 mm	1/4"	1/4" BSP
TL/TR 31800/407	4100 mm	1/4"	M16 x 1.5
TL/TR 31800/501	3500 mm	5/16"	3/8" BSP
TL/TR 31800/502	3500mm	5/16"	3/8" JIC
TL/TR 31800/508	3500 mm	5/16"	M16 x 1.5
TL/TR 31800/601	2700 mm	3/8"	3/8" BSP
TL/TR 31800/606	2700 mm	3/8"	M16 x 1.5
TL/TR 38000 - Flange dia. is 380mm (15in)*			
TL/TR 38000/404	6500 mm	1/4"	1/4" BSP
TL/TR 38000/408	6500 mm	1/4"	M16 x 1.5
TL/TR 38000/504	5600 mm	5/16"	3/8" BSP
TL/TR 38000/506	5600 mm	5/16"	3/8" JIC
TL/TR 38000/509	5600 mm	5/16"	M16 x 1.5
TL/TR 38000/603	4900 mm	3/8"	3/8" BSP
TL/TR 38000/607	4900 mm	3/8"	M16 x 1.5
TL/TR 45700 - Flange dia. is 457mm (18in)*			
TL/TR 45700/308	11 m	1/4"	1/4" BSP
TL/TR 45700/311	11 m	1/4"	M16 x 1.5
TL/TR 45700/511	9300 mm	5/16"	3/8" BSP
TL/TR 45700/507	9300 mm	5/16"	3/8" JIC
TL/TR 45700/510	9300 mm	5/16"	M16 x 1.5
TL/TR 45700/604	7300 mm	3/8"	3/8" BSP
TL/TR 45700/608	7300 mm	3/8"	M16 x 1.5
TL/TR38004 - Flange dia. is 380mm (15in)*			
TL/TR 38004/312	3900 mm	1/2"	3/8" BSP
TL/TR 38004/306	3900 mm	1/2"	1/2" BSP
TL/TR45704 - Flange dia. is 457mm (18in)*			
TL/TR 45704/313	6200 mm	1/2"	3/8" BSP
TL/TR 45704/307	6200 mm	1/2"	1/2" BSP

8

FEATURES

- Maximum operating pressure 300 bar (4350 psi)
- Large ports provide efficient flow characteristics
- Accepts Siamese 1/4", 5/16", 3/8" or 1/2" bore thermoplastic hoses
- Cassette loaded coil spring for safety and easy removal
- Left or right hand mounting, easily changeable on site



Tecreels (375, Type 4, 4 Port, Multi Function, 2 and 4 Port Swivel Range)

4 Range

FEATURES

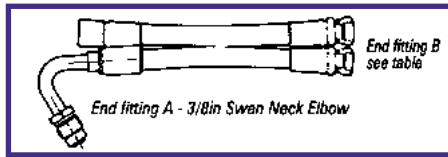
- Maximum operating pressure 170 bar (2500 psi)
- Improved fluid flow
- Accepts Siamese 1/4", 5/16", bore thermoplastic hoses
- Easy maintenance
- A low cost competitively priced reel

Performance Data

Flow Rate per minute	Pressure Drop with twin 5.6 m (18 ft) hoses, 5/16" in bore
22.7 Litres (5 Gall)	28.5 Bar (413 psi)
45.5 Litres (10 Gall)	62 Bar (899 psi)

The above figures are based on ESSO NUTO H32 @ 25-28°C viscosity 55/63 cSt.

Tecreel 4 Hose Assembly



Optional Extras

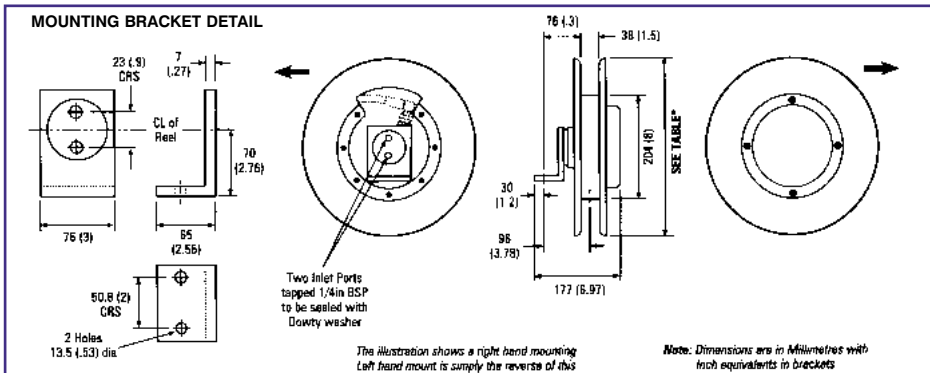
Part Number	Threads
105340	1/4" BSP x 1/4" BSP
106819	1/4" BSP x 5/16" BSP
34865-225	1/4" BSP x M16 x 1.5

Seal Kit

Part Number	Threads
51892	4 Tecreel Replacement Seal Kit



Part Number	Hose Length	Hose Bore	End Fitting B
(4L - Left Hand Mounting, 4R - Right Hand Mounting)			
4L/4R 31800 - Flange Dia. is 318mm (12.5in)*			
4L/4R 31800/401	4100 mm	1/4"	1/4" BSP
4L/4R 31800/402	4100 mm	1/4"	M16 x 1.5
4L/4R 31800/501	3500 mm	5/16"	3/8" BSP
4L/4R 31800/502	3500mm	5/16"	3/8" JIC
4L/4R 31800/503	3500 mm	5/16"	M16 x 1.5
4L/4R 38000 - Flange dia. is 380mm (15in)*			
4L/4R 38000/403	6000 mm	1/4"	M16 x 1.5
4L/4R 38000/404	6000 mm	1/4"	1/4" BSP
4L/4R 38000/504	5600 mm	5/16"	3/8" BSP
4L/4R 38000/505	5600 mm	5/16"	3/8" JIC
4L/4R 38000/506	5600 mm	5/16"	M16 x 1.5



4 Port Range



Performance Data

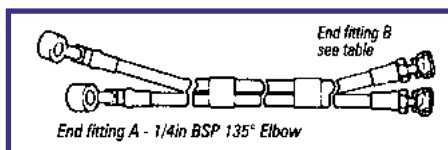
Flow Rate per minute	Pressure Drop with twin 5 m (16 ft) hoses, 3/8" in bore
22.7 Litres (5 Gall)	11 Bar (159 psi)
45.5 Litres (10 Gall)	25 Bar (362 psi)

The above figures are based on ESSO NUTO H32 @ 25-28°C viscosity 55/63 cSt.

FEATURES

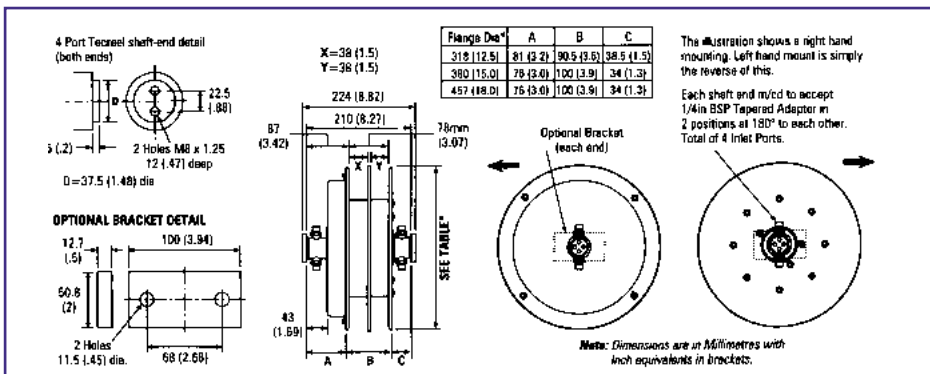
- Maximum operating pressure 210 bar (3000 psi)
- Accommodates 4 separate hydraulic circuits in 1 reel
- Accepts Siamese high pressure thermoplastic hoses, staggered at the reel end to accept 1/4" BSP port fixings
- Central dividing plate prevents cross winding
- Only 210 mm wide and available with optional rectangular mounting bracket

Tecreel 4 Port Hose Assembly



Optional Extras

Part Number	Threads
G04R04	1/4" BSP x 1/4" BSP
G06R04	1/4" BSP x 3/8" BSP



Seal Kit

Part No	Threads
51815	4 Port Tecreel Replacement Seal Kit

Part No	Hose Length	Hose Bore	End Fitting B
(SL - Left Hand Mounting, SR - Right Hand Mounting)			
SL/SR 31800 - Flange Dia. is 318mm (12.5in)*			
SL/SR 31800/402	4420 mm	1/4"	1/4" BSP
SL/SR 31800/403	4420 mm	1/4"	M16 x 1.5
SL/SR 31800/508	3810 mm	5/16"	3/8" BSP
SL/SR 31800/503	3810mm	5/16"	3/8" JIC
SL/SR 31800/503	3810 mm	5/16"	M16 x 1.5
SL/SR 31800/603	3050 mm	3/8"	3/8" BSP
SL/SR 31800/606	3050 mm	3/8"	M16 x 1.5
SL/SR 38000 - Flange dia. is 380mm (15in)*			
SL/SR 38000/401	6710 mm	1/4"	1/4" BSP
SL/SR 38000/404	6710 mm	1/4"	M16 x 1.5
SL/SR 38000/509	5940 mm	5/16"	3/8" BSP
SL/SR 38000/502	5940 mm	5/16"	3/8" JIC
SL/SR 38000/506	5940 mm	5/16"	M16 x 1.5
SL/SR 38000/602	5180 mm	3/8"	3/8" BSP
SL/SR 38000/607	5180 mm	3/8"	M16 x 1.5
SL/SR 45700 - Flange dia. is 457mm (18in)*			
SL/SR 45700/301	10520 mm	1/4"	1/4" BSP
SL/SR 45700/302	10520 mm	1/4"	M16 x 1.5
SL/SR 45700/504	9450 mm	5/16"	3/8" BSP
SL/SR 45700/501	9450 mm	5/16"	3/8" JIC
SL/SR 45700/507	9450 mm	5/16"	M16 x 1.5
SL/SR 45700/601	7620 mm	3/8"	3/8" BSP
SL/SR 45700/608	7620 mm	3/8"	M16 x 1.5

Tecreels (375, Type 4, 4 Port, Multi Function, 2 and 4 Port Swivel range)



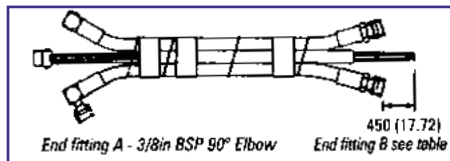
Multifunction

Performance Data

Flow Rate per minute	Pressure Drop	
	With twin 4.5m (15 ft) hoses, 5/16" in bore	With twin 5m (16 ft) hoses, 3/8" in bore
22.7 Litres (5 Gall)	17 Bar (246 psi)	8 Bar (116 psi)
45.5 Litres (10 Gall)	36 Bar (522 psi)	19 Bar (275 psi)

The above figures are based on ESSO NUTO H32 @ 25-28°C viscosity 55/63 cSt.

Tecreel 4 Hose Assembly



FEATURES

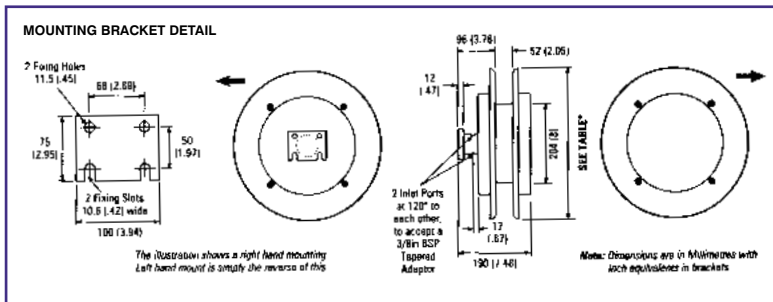
- Maximum operating pressure 300 bar (4350 psi)
- Maximum voltage 80V, maximum current 4.5A (6 wires)
- Purpose designed for use with multi function hydraulic attachments
- Transmits hydraulic power and electrical signals through a central cable conduit bonded between 2 high pressure thermoplastic hoses
- Space saving design allows easy installation and maintenance

Optional Extras

Part Number	Threads
G04R06	3/8" BSP x 1/4" BSP
G06R06	3/8" BSP x 3/8" BSP
34873-609	3/8" BSP x M16 x 1.5
34873-211	3/8" BSP x 9/16" JIC

Seal Kit

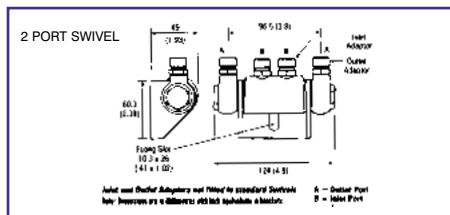
Part Number	Threads
51892	Multifunction Tecreel Replacement Seal Kit



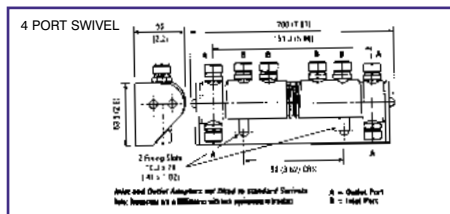
Swivels

8

2 Port Swivel



4 Port Swivel



FEATURES

FEATURES

- Maximum operating pressure 300 bar (4350 psi)
- Suitable for use with Type 4, 375 and Multifunction Tecreels
- Gives full 180° free hose movement
- Available with or without check valves

Performance Data

Part Number	Pressure Drop	
	at 22.7 litres (5 gall) per minute flow rate	at 45.5 litres (10 gall) per minute flow rate
OA50193	2.8 Bar (40 psi)	8.5 Bar (123 psi)
Swivel with check valve		
SWV-02	2 Bar (29 psi)	6.8 Bar (98 psi)

The above figures are based on ESSO NUTO H32 @ 25-28°C viscosity 55/63 cSt.

Seal Kit

Part Number	Threads
51601	2 Port Swivel Replacement Seal Kit

Swivel Adaptors

Standard 2 Port and 4 Port swivels are supplied without inlet and outlet adaptors which should be ordered separately from this table.

Part Number	Thread
34865-223	1/4" BSP
34866-625	3/8" BSP
34811-627	9/16" JIC
34832-206	3/4" JIC
34857-205	M16 x 1.5 (24° Seat)
34857-202	M16 x 1.5 (60° Seat)
34857-206	M18 x 1.5 (24° Seat)
34857-204	M18 x 1.5 (60° Seat)
25145-107	"O" Ring

Note:
The maximum tightening torque to effect sealing of swivel adaptors is 15 lb/ft.

Performance Data

Part Number	Pressure Drop	
	at 22.7 litres (5 gall) per minute flow rate	at 45.5 litres (10 gall) per minute flow rate
SWV-04	2.3 Bar (33 psi)	9.5 Bar (138 psi)

The above figures are based on ESSO NUTO H32 @ 25-28°C viscosity 55/63 cSt.

Seal Kit

Part Number	Threads
51893	4 Port Swivel Replacement Seal Kit